

PC series

INDUSTRIAL EVAPORATOR

engineering data
and specifications



EFFICIENT COIL DESIGN

Tubes are 3/4" OD staggered in the direction of air flow. Turbo-spacers located between tubes provide nominal three, four or six fins per inch spacing and improves fin efficiency by turbulating air flow.

MATERIALS OF COIL CONSTRUCTION

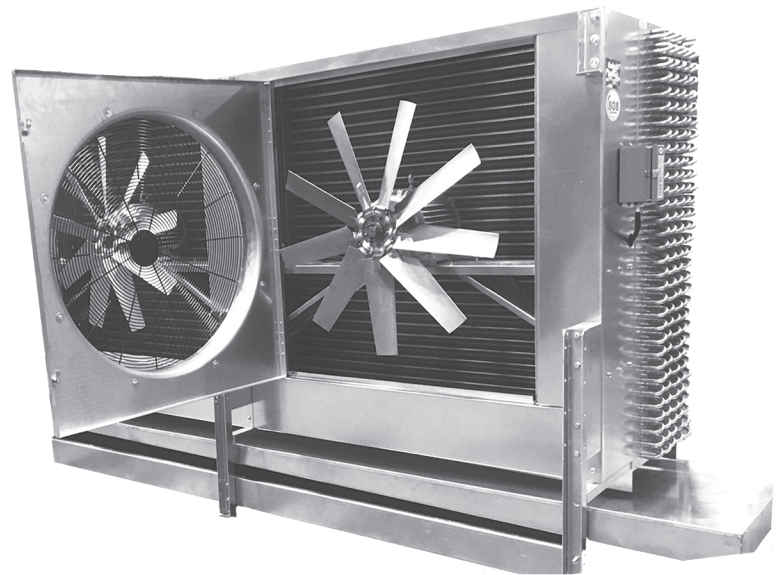
- Type 304L stainless steel tubes and aluminum fins. Tubing meets the requirements of ASME B31.5 Refrigerant Piping Code.
- Aluminum tubes and fins.
- Copper tubes and aluminum fins.
- Carbon steel tubes and fins, hot dip galvanized after fabrication.
- Each coil is tested under water with 350 psig air.
- For maximum efficiency each coil is tailor made for its intended duty with the following features:
 - Recirculated coils have graduated liquid feed orifices to balance static head and reduce hot gas blowby during defrost.
 - Direct expansion coils are circuited to have minimum pressure drop and maintain refrigerant velocity for oil return.
 - Flooded coils are circuited to minimize internal losses while maintaining minimum surge drum operating level.
 - Brine or glycol systems are circuited to minimize fluid pressure drop and maintain a desired velocity.
- Stainless steel and aluminum tube coils provided with carbon steel connection stubs.
- All coils shipped with a dry nitrogen charge.
- Coil variations available include:
 - Variable fin spacing: 1.5 / 3 or 2/4 fins per inch.
 - Hot gas, hot water, or electric reheat.
 - Split face or split row circuiting.
 - Fully coated coil with Epoxy ElectroFin* or Heresite** (aluminum fin coils only).
 - Corrosion resistant gold epoxy precoated aluminum fin.

DRAIN PAN CONSTRUCTION

- Standard drain pan is aluminum for air, HGD (hot gas defrost), ED (electric defrost) and water defrosts units.
- Optional insulated, mill galvanized cover available for Air, HGD and ED units
- Hot gas drain pan is stainless steel and available in the exclusive waffle style or tube style configuration. Includes an insulated mill galvanized cover.
- EDL units use an aluminum drain pan with an insulated, mill galvanized cover.
- Condensate drains are horizontal to provide the least interference under the unit.
- Pans are pitched in two directions to ensure water drainage.

HEAVY DUTY HOUSING CONSTRUCTION

- Housings are mill galvanized steel for long life and maximum strength.
- Features include:
 - Angled bottom panels to transfer interior moisture into the drain pan.
 - Angled top panels to transfer moisture to back of unit.
 - Deep spun orifices insure optimum fan performance.
 - Individually compartmented fans prevent reverse fan rotation and allow fan cycling for capacity control and reduced operating costs.
 - Hinged fan panels for ease of maintenance of unit interior.
 - Solid base motor mount to secure heavy, higher horsepower, higher speed motors.
 - Header and return bend ends left open for ease of unit installation and operation observation. ED and EDL defrosts have covered unit ends to keep the defrost heat within the unit.
 - Steel crossbars between the shipping legs are supplied to allow easier lifting of the unit into place.



*ElectroFin® is a registered trademark of Modine, Racine, WI

**Heresite® is a registered trademark of Hersite Protective Coatings, LLC, Manitowoc, WI

FAN EFFICIENCY

- All fans are cast aluminum selected for maximum efficiency with non-overloading performance.
- Selections are given for 870, 1160 and 1750 RPM operation.
- Fan guards are PVC coated for long life.

HEAVY DUTY MOTORS

- Standard motors are TEFC (7.5 hp, 1160 RPM, TEAO) lubricated for -40°F ambient operating at 870, 1160 or 1750 RPM.
- 1/3, 1/2, 3/4, and 1 hp 870 RPM, 1/3 through 2 hp 1160 RPM can include thermal overload in motor.
- 3 through 7.5 hp, 1160 and 1750 RPM motors do not include thermal overload.
- 1 through 7.5 hp without ATO are VFD rated.
- All motors wired to terminal block(s) in a common NEMA 4 junction box on the same end as the refrigerant connections. ATO motors are wired to a single terminal block while non-ATO motors are wired to individual terminal blocks.

AIR DEFROST

above 36°F room temperature

Units should be selected at low face velocities using the ratings on the capacity data tables to prevent moisture carryover if the liquid solenoid valve cycles.

- Drain pan is aluminum for long life and corrosion protection. CFC-free closed cell insulation and a mill galvanized steel cover is optional.

HOT GAS DEFROST UNIT

below 36°F room temperature

- The unique waffle stainless steel drain pan allows for the fastest hot-gas defrost available. The design assures maximum pan heat in minimum time.
- Drain pan includes CFC-free closed cell insulation with a mill galvanized steel cover.
- Interconnecting piping and check valve between the drain pan and coil is factory installed.

HOT GAS DEFROST COIL ONLY

above 36°F room temperature

- Hot gas defrost for the coil with an unheated aluminum drain pan.
- Optional CFC-free closed cell insulation with a mill galvanized steel cover is available.

WATER DEFROST

to -20°F room temperature

- A water distribution pan mounted above each coil section provides full coverage of the entire finned surface. Inlet water temperature should not exceed 60°F. Water pans are removable from the back of the unit. Overall height is increased 5".
- Drain pan is aluminum for long life and furnished with an oversized horizontal drain connection.

ELECTRIC DEFROST

See page 29.

PENTHOUSE ARRANGEMENT OPTIONS

- Fans are located in a 45° down discharge with duct extensions for maximum fan efficiency and even air flow through the coil. Capacity is to be selected for 1/4" or 1/2" static pressure.
- Access doors for inspection and motor removal are included. Extended lubrication lines make service easy.
- 24" extended legs allow drain lines to run outside the penthouse above roof flashing.
- Motor grease lines are extended to the exterior of the cabinet.

FAN DISCHARGE OPTIONS

- Draw through horizontal discharge is standard.
- 45° down discharge for blast cells with palletized product. This can increase air flow efficiency, improving freezing times. Motor grease lines are extended to the exterior of the cabinet.
- Blow through fan arrangements for unique cooling applications. Dimensions will not be the same as the standard draw through design. This should not be used in high humidity, low temperature applications.
- Long throw adapters for freezers and coolers: see application guidelines.

MOTOR CONTROL OPTIONS

- Individual motor non-fused disconnect or manual motor starters, factory wired, provided as a local disconnect means.

SPECIAL MOTORS OPTION

- Wash-down duty motors.
- Stainless steel exterior finished motors.
- EC motors for certain size hp and RPM.

FAN CABINET OPTIONS

- Stainless steel construction.
- Stainless steel fan guard.

CONTROL PANEL OPTION

- A factory mounted and wired control panel with fused disconnect with fan motor starters. This allows for reduced field installation costs since only one electrical connection is required per unit. Panels carry a UL stamp for industrial control panels.
- The standard enclosure is rated NEMA 4.
- Multiple motors can be wired to run together or individually.
- Transformer to provide contactor voltage, controlled by others. Transformer can be eliminated, contactor voltage then supplied by others.

PC SERIES SELECTION

PC Series axial flow propeller coolers are designed for medium temperature coolers, freezers and blast freezers.

- Ratings shown are for liquid recirculated ammonia with aluminum fin coils in accordance with ASHRAE and AHRI standards.
- Capacity listed is BTUH/°TD lithaemic frosted coil for sensible heat removal. The unit will absorb both sensible and latent heat from the space if the TD is adequate for the air flow. (TD is the temperature difference between the coil saturated suction temperature and the entering air temperature).
- For wet coil rating, variable fin spacing and direct expansion application, see the capacity correction factors listed.
- For wet coil application or for suction temperature at or above 25°F, selection should be limited to coil face velocities less than 630 FPM to prevent moisture carryover.
- Ratings listed show 1/4" external static pressure (ESP) and 1/2" external static pressure operation. See application guidelines for details.
- Flooded ratings are the same as the recirculated rating.
- Brine refrigerants require factory engineered selection. Provide required capacity, brine type, brine concentration, room temperature, entering brine temperature and gpm for selection.
- For 50 Hz applications, derating may not be required. Contact factory.

External Motor Protection is required in all three phases. Overloads should be sized with allowance for 1.15 service factor and cold air density. Multiply nameplate FLA by 1.15" 0°F, 1.1" -10° F and 1.2" -20°F spaces to correct for air density. A motor's ability to dissipate heat in cold ambients increases at a faster rate than the resultant increase in horsepower.

Capacity Corrections Factors

Multiply Rated Capacity by Factors

Rating Variation	Rows Deep			Factory Corrects Rating for
	6	8	10	3 FPI
Variable 1.5/3 Fin Spacing	0.85	0.89	0.91	4 FPI
Variable 2/4 Fin Spacing	0.85	0.89	0.91	3 or 4 FPI
Wet Coil to 32° F SST	1.12	1.10	1.08	3 or 4 FPI
Ammonia TEV to 0°F SST	0.83	0.84	0.85	3 or 4 FPI
Halocarbon TEV to -20°F SST	0.73	0.76	0.78	3 or 4 FPI
Halocarbon TEV to -50°F SST	0.66	0.68	0.70	3 or 4 FPI
Halocarbon TEV to -40°F SST	0.58	0.60	0.62	3 or 4 FPI
Steel HDG Recirculation	0.88	0.90	0.92	3 or 4 FPI

Motor AMPS

Horsepower	RPM	With ATO			Without ATO		
		230/3/360	460/3/60	575/3/60	230/3/360	460/3/60	575/3/60
.33	1160	1.80	0.90	.720	1.80	0.9	.720
.50	850	4.00	2.00	1.30			
.50	1160	2.40	1.20	1.00	2.40	1.20	1.00
.75	850	4.20	2.10	1.60			
.75	1160	3.00	1.50	1.20	3.00	1.50	1.20
1.0	850	6.20	3.10	1.78	4.60	2.30	-
1.0	1160	3.60	1.80	1.40	3.60	1.80	1.40
1.5	850				6.00	3.00	-
1.5	1160	4.80	2.40	1.90	4.80	2.40	1.90
2.0	850				7.00	3.50	-
2.0	1160	7.00	3.50	2.80	7.00	3.50	2.80
2.0	1725	5.80	2.90	2.30	5.80	2.90	2.30
3.0	1160				9.20	4.60	3.70
3.0	1725				8.1	4.20	3.30
5.0	1160				14.4	7.20	5.80
5.0	1725				13.4	6.70	5.30
7.5	1160				22.0	11.0	-
7.5	1725				19.0	9.50	7.60

REFRIGERANT FEEDS

DX—Direct expansion employs distributors and capillaries to feed each circuit. TEV must be externally equalized. Electronic TEV feeds are recommended below 0°F SST or with TD selections less than 12°F. Remove discharge tubes from ammonia TEV. The distributor is orificed.

Subcooled liquid must be specified as circuits may be reduced for rated performance.

DX-HG—Direct expansion hot gas defrost models utilize a side ported distributor, a bypass tee between TEV and distributor, or bypass header for halocarbons. Ammonia requires a bypass header.

Recirculated Liquid Overfeed Systems usually supply liquid refrigerant at SST. Warmer liquid feeds must be specified. Liquid ammonia must be no more than 30°F above SST.

RT—Recirculated top feed is recommended for air, water, or electric defrost. Refrigerant and oil flows downhill to the suction header.

RB—Recirculated bottom feed is recommended for hot gas defrost. Hot gas enters the suction through customer’s connection. Condensate and oil flow downhill, backflowing the liquid feed orifices which restrict gas blowby. Condensate is relieved through customer’s tee located between coil and balancing valve. Defrost condensate relief devices must be located below the liquid connection.

DRAIN LINES

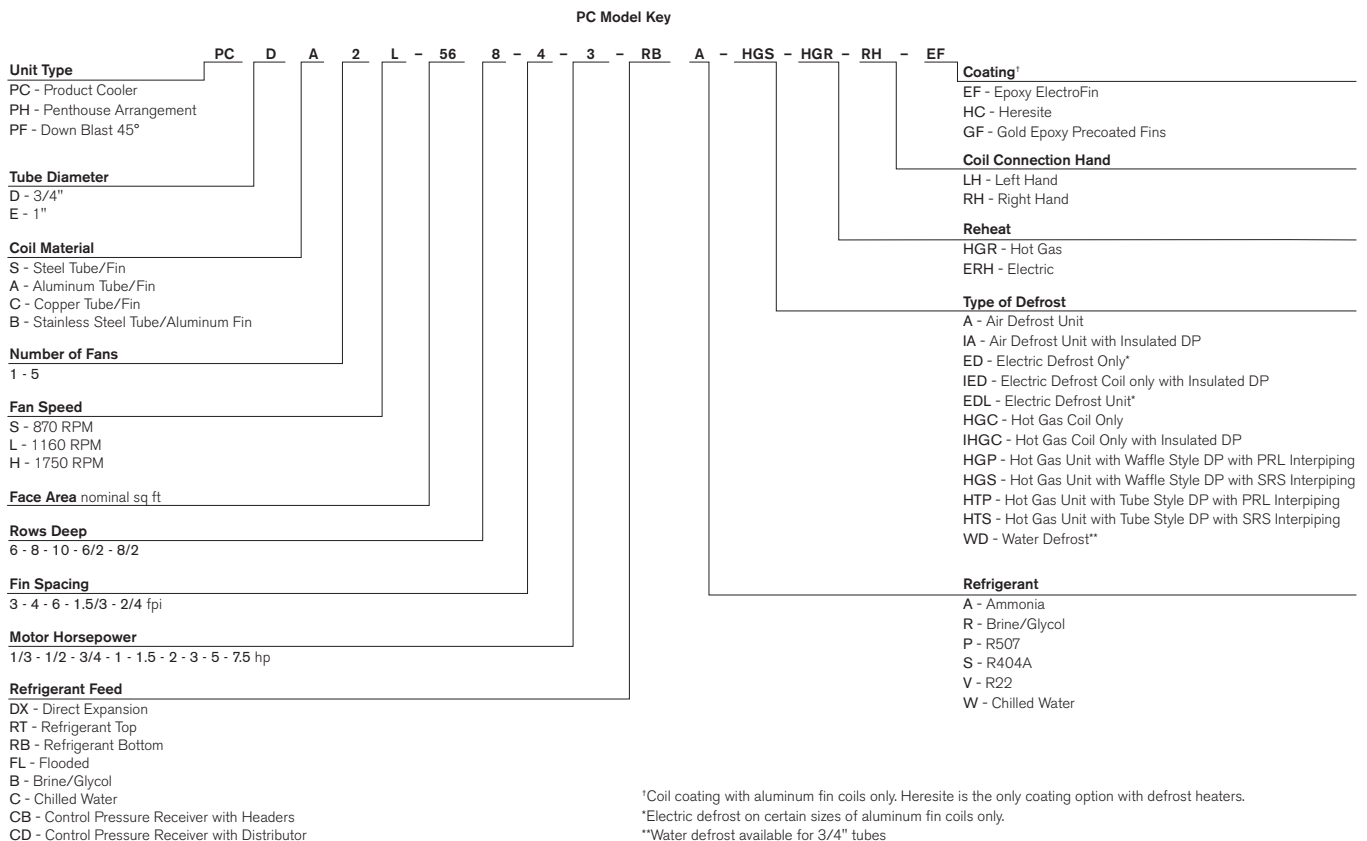
Each unit must have a trap (heated when necessary) in the water drain line from each unit.

Piping—Weight of piping, controls, etc. should be carried by proper pipe supports. Steel suction lines on TEV fed ammonia units should be downsized at the unit and then trapped. The undersized riser should enter the top of a suction header.

FL—Flooded feeds utilize surge drums with liquid level control. When close coupled, liquid level in drum should be 4" or more above coil. Gas/liquid separation velocities are based on condenser pressure liquid feed. Smaller vessels can be used when liquid is subcooled and when hot gas defrost condensate is relieved to other than the drum. Contact factory for surge drum selections.

AIR THROW

For 870 RPM motors, air throw is 80' to 100'. For 1160 RPM motors, air throw is 120' to 140'. Long throw adapters will increase air throw by 30 to 40%.



BLAST FREEZING

Blast freezing applications should use 1/2 ESP ratings. It is important that adequate space for air flow is available for blast freezing applications, High capacity and high air flows in confined spaces can produce static pressures exceeding the capabilities of the fan. This results in greatly reduced airflow and less than expected capacity.

UNIT LOCATION

Locate units away from walls a distance equivalent to the unit height. This distance should be increased if product is stacked to the unit underside. Air discharge should not be blocked by steelwork, product, or lights. Water defrost models require 24" clearance for distribution pan removal for cleaning. Since housings are non-insulated, units are to be located in the conditioned space.

HOT GAS DEFROST

During hot gas defrost, an evaporator coil can condense at 3 to 4 times its rated cooling capacity. Liquid condensate must be allowed to leave the coil or defrost will be retarded by lack of flow. Defrost condensate relief lines must be connected to the bottom of RT or DX suction lines or traps and to the bottom of RB or FLA liquid lines. Do not backflow condensate through hand expansion valves as the orifice will restrict defrost. Defrost relief regulators must be located below the liquid or suction connections. Do not lift refrigerant condensate because defrost of the bottom of the coil will be retarded. When the defrost relief is piped in a fourth pipe to the system intercooler or controlled pressure receiver, the defrost relief regulator may require oversizing because its pressure differential is lower. With multiple evaporators, each is provided with a defrost relief check valve and the regulator is in the common header. The regulator and the common defrost relief header must be sized for the maximum number of units being defrosted at one time.

Sound Ratings (dB A Scale)

Number of Fans	Fan Diameter 24" and Under			Fan Diameter 30" and Over		
	870 RPM	1160 RPM	1750 RPM	870 RPM	1160 RPM	1750 RPM
1	65-69	68-72	84-85	72-75	80-82	93-94
2	68-72	71-74	86-88	73-77	83-85	94-95
3	70-74	73-76	88-89	76-78	86-89	96-98
4	71-75	74-77	90-92	79-82	90-92	97-99
5	72-76	75-78	91-93	81-84	91-93	98-99

One Fan Unit

Model	Horsepower each	4 Fins per inch						3 Fins per inch					
		0" ESP		1/4" ESP		1/2" ESP		0" ESP		1/4" ESP		1/2" ESP	
		BTUH/ °TD	BTUH/ CFM	BTUH/ °TD	BTUH/ CFM	BTUH/ °TD	BTUH/ CFM	BTUH/ °TD	BTUH/ CFM	BTUH/ °TD	BTUH/ CFM	BTUH/ °TD	BTUH/ CFM
1L-086	0.33	2640	3440					2240	3480				
1L-088		2980	3320					2670	3360				
1L-0810		3280	3200					3010	3250				
1L-086	0.50	3060	4280					2610	4360				
1L-088		3540	4070					3150	4170				
1L-0810		3940	3880					3580	4000				
1L-086	0.75	3140	4560					2740	4660				
1L-088		3670	4300					3320	4420				
1L-0810		4030	4040					3660	4180				
1S-096	0.33	3390	4520					2910	4640				
1S-098		3780	4200					3440	4330				
1S-0910		4000	3900					3750	4050				
1S-096	0.50	3460	4640					2960	4760				
1S-098		3910	4340					3530	4470				
1S-0910		4170	4070					3910	4210				
1L-096	0.50	3520	4800					2900	4880				
1L-098		4040	4580					3640	4680				
1L-0910		4480	4380					4070	4480				
1L-096	0.75	3680	5380					3220	5510				
1L-098		4330	5110					3890	5240				
1L-0910		4720	4850					4340	4990				
1L-096	1.00	5260	6290					3470	6440				
1L-098		3850	5960					4220	6120				
1L-0910		4320	5660					4790	5850				
1S-106	0.50	4690	5070					3250	5160				
1S-108		3860	4810					3910	4920				
1S-1010		4430	4580					4380	4710				
1L-106	0.50	4860	5130					3270	5210				
1L-108		4210	4930					3990	5030				
1L-1010		4960	4740					4480	4840				
1L-106	0.75	5470	6180					3670	6280				
1L-108		4430	5860					4400	6000				
1L-1010		5220	5390					4980	5740				
1L-106	1.00	5810	6840					3840	7000				
1L-108		4640	6450					4730	6640				
1L-1010		5500	6100					5280	6310				
1L-106	1.50	6790	7480					4070	7650				
1L-108		4960	7130					4930	7310				
1L-1010		5980	6810					5600	7010				
1H-106	2.00	6650	8460	4800	7890			4330	8600	4170	8030		
1H-108		5380	8160	5730	7580			5330	8320	5110	7750		
1H-1010		6650	7860	6390	7320			6020	8060	5790	7490		
1H-106	3.00	5380	9710	5210	9100	4950	8420	4700	9880	4500	9300	4330	8620
1H-108		6510	9300	6240	8700	5920	8030	5770	9560	5540	8930	5290	8230
1H-1010		7180	8930	6870	8300	6550	7650	6500	9200	6230	8580	5950	7900

Base Model	Rows Deep	Tube High	Face Area sq ft	Fans	Approximate Weight lb			Coil Volume cu ft	Total Surface sq ft		Dimensions length x height
					Steel	SS/Al	Al/Al		3 FPI	4 FPI	
086	6				702	401	357	0.7	493	657	
088	8	12	7.5	1 x 20"	936	535	476	0.9	658	876	75" x 32"
0810	10				1171	669	595	1.1	822	1095	
096	6				819	468	417	0.8	575	765	
098	8	14	807	1 x 24"	1092	624	555	1.0	767	1023	75" x 36"
0910	10				1365	780	694	1.3	959	1278	
106	6				936	535	476	0.9	658	876	
108	8	16	9.9	1 x 24"	1248	713	635	1.2	876	1170	75" x 40"
1010	10				1561	892	794	1.5	1095	1461	

One Fan Unit

Model	Horsepower each	4 Fins per inch						3 Fins per inch					
		0" ESP		1/4" ESP		1/2" ESP		0" ESP		1/4" ESP		1/2" ESP	
		BTUH/ °TD	BTUH/ CFM	BTUH/ °TD	BTUH/ CFM	BTUH/ °TD	BTUH/ CFM	BTUH/ °TD	BTUH/ CFM	BTUH/ °TD	BTUH/ CFM	BTUH/ °TD	BTUH/ CFM
1S-126	1.00	5310	7860					4680	8120				
1S-128		6150	7240					5570	7530				
1S-1210		6710	6730					6220	7010				
1L-126	1.00	5630	8760					4880	9030				
1L-128		6620	8200					5980	8480				
1L-1210		7300	7680					6660	8010				
1L-126	1.50	5940	9710					5220	10090				
1L-128		6890	8940					6230	9330				
1L-1210		7650	8320					6980	8700				
1L-126	2.00	6280	10830	5800	9380			5495	1190	5130	9720		
1L-128		7440	10120	6760	8570			6700	10480	6110	9000		
1L-1210		8110	9430	7440	7960			7430	9840	6820	8310		
1L-126	3.00	6600	11690	6100	10170	5490	8480	5790	12130	5360	10590	4800	8800
1L-128		7750	10760	7130	9400	6360	7740	6960	11250	6410	9780	5860	8160
1L-1210		8400	10010	7810	8690	6990	7230	7710	10510	7160	9160	6400	7540
1H-126	3.00	6750	12240	6490	11290	6100	10240	5950	12580	5620	11610	5340	10500
1H-128		8130	11610	7705	10660	7260	9660	7230	11980	6930	10980	6490	9975
1H-1210		8920	11030	8455	10130	7990	9150	8100	11450	7700	10500	7290	9480
1H-126	5.00	7450	13970	7060	12970	6670	11940	6570	14360	6240	13350	5850	12310
1H-128		8880	13130	8370	12190	7930	1180	7960	13610	7530	12660	7090	11630
1H-1210		9600	12430	9130	11510	8670	10540	8880	12970	8340	12000	7920	10970
1S-156	1.00	6070	8390					5190	8600				
1S-158		6920	7860					6270	8080				
1S-1510		7570	7390					6950	7630				
1L-156	1.00	6310	9260					5540	9490				
1L-158		7420	8760					6670	9000				
1L-1510		8200	8340					7450	8580				
1L-156	1.50	6715	10400					5786	10640				
1L-158		7860	9710					7130	10040				
1L-1510		8710	9130					7940	6500				
1L-156	2.00	7070	11510	6545	10070			6200	11820	5735	10300		
1L-158		8320	10830	7680	9380			7480	1190	6990	9720		
1L-1510		9300	12050	8285	8830			8430	10610	7740	9150		
1L-156	3.00	7930	12530	6870	10920	6290	9160	6490	12900	6020	11250	5510	9400
1L-158		8750	11690	8080	10170	7270	8480	7870	12130	7240	10510	6620	8800
1L-1510		9600	11010	8930	9550	7980	7950	8780	11470	8160	9940	7280	8270
1H-156	3.00	7460	12790	7210	11850	6810	10710	6530	13040	6260	12060	5890	10920
1H-158		8990	12280	8560	11290	8100	10240	8030	12540	7660	11610	7235	10500
1H-1510		9970	11800	9520	10820	9080	9820	9040	12100	8650	1130	8235	10080
1H-156	5.00	8100	14660	7813	13675	7410	12600	7100	1500	6750	13965	6480	12870
1H-158		9770	13965	9330	12975	8850	11940	8675	14360	8315	13345	7930	12310
1H-1510		10750	13345	10300	12430	9770	11380	9728	13770	9315	12810	8900	11750

Base Model	Rows Deep	Tube High	Face Area sq ft	Fans	Approximate Weight lb			Coil Volume cu ft	Total Surface sq ft		Dimensions length x height
					Steel	SS/Al	Al/Al		3 FPI	4 FPI	
126	6				1171	669	595	1.1	822	1095	
128	8	20	12.4	1 x 30"	1561	892	794	1.5	1096	1461	75" x 49"
1210	10				1951	1115	992	1.9	1370	1826	
156	6				1404	802	714	1.3	986	1315	
158	8	24	14.9	1 x 30"	1873	1070	952	1.8	1316	1753	75" x 57"
1510	10				2430	1337	1190	2.2	1643	2192	

One Fan Unit

Model	Horsepower each	4 Fins per inch						3 Fins per inch					
		0" ESP		1/4" ESP		1/2" ESP		0" ESP		1/4" ESP		1/2" ESP	
		BTUH/°TD	BTUH/CFM	BTUH/°TD	BTUH/CFM	BTUH/°TD	BTUH/CFM	BTUH/°TD	BTUH/CFM	BTUH/°TD	BTUH/CFM	BTUH/°TD	BTUH/CFM
1L-176	1.00	7085	10400					6565	10800				
1L-178		8325	10100					7992	10500				
1L-1710		9527	9900					9145	10300				
1L-176	1.50	7458	11900	6893	9900			6938	12400	6607	10200		
1L-178		8880	11500	8059	9400			8525	12000	7737	9700		
1L-1710		9984	11200	8993	9100			9592	11600	8633	9400		
1L-176	2.00	7639	7255	7266	11400			7108	13200	6757	11800		
1L-178		9246	8702	8702	11100			8880	12900	8358	11500		
1L-1710		10431	9799	9799	10900			10017	12500	9407	11100		
1L-176	3.00	8758	16000	8645	15000	8204	14100	8136	16600	8034	15600	7628	14700
1L-178		10623	15600	10323	14400	9801	13600	12123	16200	9912	14900	9413	14000
1L-1710		11609	15300	11064	14200	10791	13300	10704	15900	10617	14700	10431	13700
1L-216	1.50	8362	12200					7774	12600				
1L-218		9990	11800					9491	12100				
1L-2110		11336	11600					10431	11900				
1L-216	2.00	8588	12800	8023	11100			7978	13200	7458	11400		
1L-218		10767	12600	9435	10900			10023	13000	8969	11200		
1L-2110		11772	12400	10791	10700			10835	12800	9930	11000		
1H-216	3.00	9718	16200	9379	15000	9040	14000	9040	16700	8712	15500	8407	14400
1H-218		11877	15800	11322	14800	10878	13800	11278	16300	10756	15200	10323	14200
1H-2110		13189	15400	12862	14600	12317	13600	12132	15800	11837	15000	11336	14000
1S-226	1.50	9198	13500					8328	13700				
1S-228		10745	12900					10012	13100				
1S-2210		12230	12600					11630	12900				
1L-226	2.00	10068	16200	9823	13900			9198	16500	8486	8486		
1L-228		11966	15800	11100	13500			11233	16100	10434	10434		
1L-2210		13549	15600	12470	13100			12873	15900	15900	11848		
1L-226	3.00	10566	16800	9707	15300	9198	13500	9616	16900	8825	15600	8362	13800
1L-228		12576	16400	11722	14800	10867	13100	11822	16600	11011	15100	10157	13400
1L-2210		14148	16200	13189	14600	12350	12800	13440	16400	12524	14900	11728	13100
1L-226	5.00	11436	20600	10938	18600	10317	16400	10407	21000	9955	18900	9390	16700
1L-228		13919	20000	13065	17900	12210	15900	13076	20400	12210	18200	11411	16400
1L-2210		15347	19600	14628	17500	13789	15700	14584	19700	13898	17800	13080	16100
1S-246	1.50	9763	13700					8882	14000				
1S-248		11322	13300					10589	13600				
1S-2410		12688	12900					10255	13200				
1L-246	2.00	10577	16300	9842	14200			9628	16600	9006	14500		
1L-248		12654	16000	11588	13800			11833	16300	10834	14100		
1L-2410		14388	15800	13080	13600			13669	16100	12426	139000		

Base Model	Rows Deep	Tube High	Face Area sq ft	Fans	Approximate Weight lb			Coil Volume cu ft	Total Surface sq ft		Water Defrost gpm	Dimensions length x height
					Steel	SS/Al	Al/Al		3 FPI	4 FPI		
					176	6						
178	8	20	16.5	1 x 30"	190	1150	950	2.1	1582	1985	21	81" x 50"
1710	10				2400	1300	1050	2.6	1978	2448	26	
216	6				1850	1100	900	1.9	1439	1780	19	
218	8	20	20.0	1 x 30"	2150	1250	1050	2.5	1918	2374	25	93" x 50"
2110	10				2700	1400	1200	3.2	2398	2968	32	
226	6				2000	1200	950	2.1	1583	1958	21	
228	8	22	22.0	1 x 36"	2400	1350	1100	2.8	2110	2611	28	93" x 54"
2210	10				3000	1500	1350	3.5	2638	3265	35	
246	6				2200	1250	1150	2.3	1727	2136	23	
248	8	24	24.0	1 x 36"	2600	1400	1300	3.0	2302	2849	30	93" x 58"
2410	10				3200	1600	1450	3.8	2878	3562	38	

One Fan Unit

Model	Horsepower each	4 Fins per inch						3 Fins per inch					
		0" ESP		1/4" ESP		1/2" ESP		0" ESP		1/4" ESP		1/2" ESP	
		BTUH/°TD	BTUH/CFM	BTUH/°TD	BTUH/CFM	BTUH/°TD	BTUH/CFM	BTUH/°TD	BTUH/CFM	BTUH/°TD	BTUH/CFM	BTUH/°TD	BTUH/CFM
1L-246	3.0	10712	17000	10306	15400	9763	13700	9752	17300	9379	15700	8814	14000
1L-248		12920	16600	12254	15200	11455	13400	12077	16900	11455	15500	10712	13700
1L-2410		14650	16300	13865	14800	12818	13000	13908	16600	13167	15100	12110	13300
1L-246	5.0	12068	20800	11390	19000	10735	17100	10984	21200	10362	19400	9752	17300
1L-248		14519	20100	13720	18300	13054	16700	13575	20500	12832	18700	12210	17000
1L-2410		16219	19700	15434	17800	14650	16300	15402	19900	14661	18200	13908	16600
1S-286	1.5	11277	15900					10102	16400				
1S-288		13187	15400					12199	16200				
1S-2810		14857	15000					14116	15700				
1S-286	2.0	12068	18500	11436	16500			10916	19300	10328	16500		
1S-248		14508	18000	13431	16000			13420	18900	12421	16300		
1S-2810		16350	17600	15162	15700			15533	18500	14399	15900		
1L-286	3.0	12385	19000	11763	17300	11413	16000	11210	19900	10645	18000	10328	16500
1L-288		14819	18600	14030	17000	13320	15500	13709	19600	12976	17600	12321	16200
1L-2810		16851	18300	15925	16600	15107	15200	16001	19300	15129	17400	14355	15800
1L-286	5.0	14125	24500	13492	22700	12972	21100	12780	25200	12215	23400	11741	22300
1L-288		17150	23900	16373	22500	15651	20800	15862	24700	15107	22800	14474	21600
1L-2810		18988	23400	18530	22200	17702	20500	18040	24400	17604	22300	16819	21400
1L-286	7.5	16136	29400	15086	27800	14238	25700	14690	30000	13650	28600	12882	26300
1L-288		19114	28000	18248	26800	17405	24900	17871	28600	16883	27700	16095	25400
1L-2810		21509	26900	20372	26000	19228	24000	20002	27500	19348	26880	18268	24900
1S-316	2.0	12543	18800					11300	19700				
1S-318		15152	18100					14008	19100				
1S-3110		17004	17800					16154	18800				
1L-316	3.0	12713	19200	12204	17600	11696	16100	11503	19900	11040	18000	10588	16800
1L-318		15318	18800	14430	17200	13653	19600	14175	19600	13342	17800	12632	16400
1L-3110		17440	18500	16350	16900	16023	15300	16568	19400	15533	17500	15227	16000
1L-316	5.0	14571	24700	14069	23000	13391	21400	13187	25800	12735	24000	12114	22500
1L-318		17649	24200	16983	22600	16317	20900	16328	25200	15707	23500	15096	22000
1L-3110		19947	23500	19130	22300	18312	20600	18955	24800	18170	23200	17396	21700
1L-316	7.5	16442	30400	15764	27900	15255	26400	14882	31600	14261	29400	13809	27700
1L-318		19980	29400	19148	27300	18149	25400	18482	30700	17716	28700	16783	26600
1L-3110		22236	28700	21419	26800	20274	24600	21124	30200	20350	28100	19/260	25800
1L-326	5.0	15187	24900	14645	23700	14283	21700	13741	25900	13255	24800	12927	22600
1L-328		18115	24400	17405	22900	16650	21200	16761	25400	16095	24000	15396	22200
1L-3210		20519	24100	19882	22500	19010	20900	19553	25100	18890	23600	18061	21900
1L-326	7.5	16950	30900	16453	29200	15730	26800	15345	32300	14893	30500	14125	28000
1L-328		20779	30100	19891	28200	18826	25900	19225	31500	18459	29500	17416	27000
1L-3210		23195	29500	22149	27500	21102	25400	22029	30800	21037	28900	20045	26600

Base Model	Rows Deep	Tube High	Face Area sq ft	Fans	Approximate Weight lb			Coil Volume cu ft	Total Surface sq ft		Water Defrost gpm	Dimensions length x height
					Steel	SS/Al	Al/Al		3 FPI	4 FPI		
286	6				2400	1400	1300	2.7	2014	2492	28	
288	8	28	28.0	1 x 42"	2900	1650	1450	3.6	2685	3324	34	93" x 67"
2810	10				3700	1800	1600	4.5	3357	4155	38	
316	6				2600	1450	1350	2.9	2158	2670	32	
318	8	30	30.0	1 x 42"	3200	1700	1600	3.9	2877	3561	36	93" x 71"
3110	10				3800	1900	1750	4.9	3597	4452	40	
326	6				2700	1550	1400	3.2	2302	2848		
328	8	32	32.0	1 x 42"	3500	1750	1600	4.3	3069	3798		93" x 75"
3210	10				4100	2000	1850	5.4	3837	4749		

Two Fan Unit

Model	Horsepower each	4 Fins per inch						3 Fins per inch					
		0" ESP		1/4" ESP		1/2" ESP		0" ESP		1/4" ESP		1/2" ESP	
		BTUH/ °TD	BTUH/ CFM	BTUH/ °TD	BTUH/ CFM	BTUH/ °TD	BTUH/ CFM	BTUH/ °TD	BTUH/ CFM	BTUH/ °TD	BTUH/ CFM	BTUH/ °TD	BTUH/ CFM
2L-146	0.33	5280	6880					4480	6960				
2L-148		5960	6640					5340	6720				
2L-1410		6560	6400					6020	6500				
2L-146	0.50	6120	8560					5220	8720				
2L-148		7080	8140					6300	8340				
2L-1410		7880	7760					7160	8000				
2L-146	0.75	6280	9120					5480	9320				
2L-148		7340	8600					6640	8840				
2L-1410		8060	8080					7320	8360				
2S-176	0.33	6780	9040					5820	9280				
2S-178		7560	8400					6880	8660				
2S-1710		8000	7800					7500	8100				
2S-176	0.50	6920	9280					5920	9520				
2S-178		7820	8680					7060	8940				
2S-1710		8340	8140					7820	8420				
2L-176	0.50	7040	9600					5980	9760				
2L-178		8080	9160					7280	9360				
2L-1710		8960	8760					8140	8960				
2L-176	0.75	7360	10760					6440	11020				
2L-178		8660	10220					7780	10480				
2L-1710		9540	9700					8680	9980				
2L-176	1.00	7980	12580					6940	12880				
2L-178		9440	11920					8440	12240				
2L-1710		10520	11320					9580	11700				
2S-206	0.50	7700	10140					6500	10320				
2S-208		8640	9620					7820	9840				
2S-2010		9380	9160					8720	9420				
2L-206	0.50	7720	10260					6540	10420				
2L-208		8860	9860					7980	10060				
2L-2010		9720	9480					8960	9680				
2L-206	0.75	8420	12360					7340	12560				
2L-208		9920	11720					8800	12000				
2L-2010		10940	11180					9960	11480				
2L-206	1.00	8860	13680					7680	14000				
2L-208		10440	12900					9460	13280				
2L-2010		11620	12200					10560	12620				
2L-206	1.50	9280	14960					8140	15300				
2L-208		11000	14260					9860	14620				
2L-2010		12380	13620					11200	14020				
2H-206	2.00	9920	16920	9600	15780			8660	17200	8340	16060		
2H-208		11960	16320	11460	15160			10660	16640	10220	15500		
2H-2010		13300	15720	12780	14640			12040	16120	11580	14980		
2H-206	3.00	10760	19420	10420	18200	9900	16840	9400	19760	9000	18600	8660	17240
2H-208		13020	18600	12480	17400	11840	16060	11540	19120	11080	17860	10580	16460
2H-2010		14360	17860	13740	16600	13100	15300	13000	18400	12480	17160	11900	15800

Base Model	Rows Deep	Tube High	Face Area sq ft	Fans	Approximate Weight lb			Coil Volume cu ft	Total Surface sq ft		Dimensions length x height
					Steel	SS/Al	Al/Al		3 FPI	4 FPI	
146	6				1404	802	714	1.4	986	1314	
148	8	12	14.9	2 x 20"	1873	1070	952	1.8	1316	1752	117" x 32"
1410	10				2342	1338	1191	2.2	1644	2190	
176	6				1638	936	833	1.6	1150	1530	
178	8	14	17.4	2 x 24"	2184	1248	1111	2.0	1534	2046	117" x 36"
1710	10				2730	1560	1388	2.6	1918	2556	
206	6				1873	1070	952	1.8	1316	1752	
208	8	16	19.8	2 x 24"	2496	1426	1269	2.4	1752	2340	117" x 41"
2010	10				3122	1784	1588	3.0	2190	2922	

Two Fan Unit

Model	Horsepower each	4 Fins per inch						3 Fins per inch					
		0" ESP		1/4" ESP		1/2" ESP		0" ESP		1/4" ESP		1/2" ESP	
		BTUH/ °TD	BTUH/ CFM	BTUH/ °TD	BTUH/ CFM	BTUH/ °TD	BTUH/ CFM	BTUH/ °TD	BTUH/ CFM	BTUH/ °TD	BTUH/ CFM	BTUH/ °TD	BTUH/ CFM
2S-256	1.00	10620	15720					9360	16240				
2S-258		12300	14480					11140	15060				
2S-2510		13420	13460					12440	14020				
2L-256	1.00	11260	17520					9760	18060				
2L-258		13240	16400					11960	16960				
2L-2510		14600	15360					13320	16020				
2L-256	1.50	11880	19420					10440	20180				
2L-258		13780	17880					12460	18660				
2L-2510		15300	16640					13960	17400				
2L-256	2.00	12560	21660	11600	18760			10990	22380	10260	19440		
2L-258		14880	20240	13520	17140			13400	20960	12220	18000		
2L-2510		16220	18860	14880	15920			14860	19680	13640	16620		
2L-256	3.00	13200	23380	12200	20340	10980	16960	11580	24260	10720	21180	9600	17600
2L-258		15500	21520	14260	18800	12720	15480	13920	22500	12820	19560	11720	16320
2L-2510		16800	20020	15620	17380	13980	14460	15420	21020	14320	18320	12800	15080
2H-256	3.00	13500	24480	12980	22580	12220	20480	11900	25160	11240	23220	10680	21000
2H-258		16260	23220	15410	21320	14520	19320	14460	23960	13860	21960	12980	19950
2H-2510		17840	22060	16910	20260	15980	18300	16200	22900	15400	21000	14580	18960
2H-256	5.00	14900	27940	14120	25940	13340	23880	13140	28720	12480	26700	11700	24620
2H-258		17760	26260	16740	24380	15860	22360	15920	27220	15060	25320	14180	23260
2H-2510		19200	24860	18260	23020	17340	21080	17760	25940	16680	24000	15840	21940
2S-316	1.00	12140	16780					10380	17200				
2S-318		13840	15720					12540	16160				
2S-3110		15140	14780					13900	15260				
2L-316	1.00	12620	18520					11080	18980				
2L-318		14840	17520					13340	18000				
2L-3110		16400	16680					14900	17160				
2L-316	1.50	13430	20800					11572	21280				
2L-218		15720	19420					14260	20080				
2L-3110		17420	18260					15880	19000				
2L-316	2.00	14140	23020	13090	20140			12400	23640	11470	20600		
2L-318		16640	21660	15360	18760			14960	22380	13980	19440		
2L-3110		18600	20500	17050	17660			16860	21220	15480	18300		
2L-316	3.00	14780	25060	13740	21840	12580	18320	12980	25800	12040	22500	11020	18800
2L-218		17500	23380	16160	20340	14540	16960	15740	24260	14480	21020	13240	17600
2L-3110		19200	22020	17860	19100	15960	15900	17560	22940	16320	19880	14560	16540
2H-316	3.00	14920	25580	14420	23700	13620	21420	13060	26080	12520	24120	11780	21840
2H-318		17980	24560	17120	22580	16200	20480	16060	25080	15320	23220	14470	21000
2H-3110		19940	23600	19040	21640	18160	19640	18080	24220	17300	22260	16470	20160
2H-316	5.00	16200	29320	15626	27350	14820	25200	14200	30000	13500	27930	12960	25740
2H-318		19540	27930	18660	25950	17700	23880	17350	28720	16630	26690	15860	24620
2H-3110		21500	26690	20600	24860	19540	22760	19456	27540	18630	25620	17800	23500

Base Model	Rows Deep	Tube High	Face Area sq ft	Fans	Approximate Weight lb			Coil Volume cu ft	Total Surface sq ft		Dimensions length x height
					Steel	SS/Al	Al/Al		3 FPI	4 FPI	
256	6				2342	1338	1191	2.2	1644	2190	
258	8	20	24.8	2 x 30"	3122	1784	1588	3.0	2192	2922	117" x 49"
2510	10				3903	2230	1985	3.8	2740	3652	
316	6				2804	1604	1428	2.6	1972	2630	
318	8	24	29.8	2 x 30"	3745	2140	1905	3.6	2632	3506	117" x 58"
3110	10				4680	2674	2380	4.4	3286	4384	

Two Fan Unit

Model	Horsepower each	4 Fins per inch						3 Fins per inch					
		0" ESP		1/4" ESP		1/2" ESP		0" ESP		1/4" ESP		1/2" ESP	
		BTUH/ °TD	BTUH/ CFM	BTUH/ °TD	BTUH/ CFM	BTUH/ °TD	BTUH/ CFM	BTUH/ °TD	BTUH/ CFM	BTUH/ °TD	BTUH/ CFM	BTUH/ °TD	BTUH/ CFM
2L-336	1.00	14170	20800					13131	21600				
2L-338		16650	20200					15984	21000				
2L-3310		19053	19800					18290	20600				
2L-336	1.50	14916	23800	13786	19800			13876	24800	12814	20400		
2L-338		17760	23000	16117	18800			17449	24000	15473	19400		
2L-3310		19969	22400	17985	18200			19184	23200	17266	18800		
2L-336	2.00	15278	25400	14532	22800			14215	26400	13515	23600		
2L-338		18493	24800	17405	22200			17760	25800	16717	23000		
2L-3310		20863	24000	19598	21800			20034	25000	18813	22200		
2H-336	3.00	17515	32000	17289	30000	16408	28200	16272	33200	16069	31200	15255	29400
2H-338		21245	31200	20646	28800	19603	27200	20246	32400	19825	29800	18826	28000
2H-3310		23217	30600	22127	28400	21582	26600	21408	31800	21233	29400	20863	27400
2S-366	1.00	15425	22500					14351	23100				
2S-368		18182	21500					17449	22100				
2S-3610		20438	20900					19620	21500				
2L-366	2.00	17899	30200	16679	26200			16645	31000	15515	27000		
2L-368		21379	28800	19780	25200			20313	29600	18792	26000		
2L-3610		23936	27700	22171	24500			22737	28500	21059	25200		
2L-366	3.00	18509	32600	17481	28800	16453	25400	17210	33900	16261	29900	15300	26400
2L-368		22200	31500	21012	27700	19392	24400	21312	32700	20169	28800	18615	25300
2L-3610		24601	30400	23413	26900	21800	23600	23609	31600	22476	28000	20928	24500
2H-366	5.00			19538	35300	19120	33700			18170	36700	17775	35000
2H-368				23843	34200	23232	32900			22888	35500	22311	34200
2H-3610				26781	33500	25986	32200			25702	34800	24939	33500
2S-406	1.00	16148	22600					15018	23200				
2S-408		18948	22000					18182	22600				
2S-4010		21419	21600					20557	22200				
2L-406	2.00	18984	31400	17854	27400			17651	32300	16600	28200		
2L-408		22866	30200	21312	26400			21956	31100	20457	27200		
2L-4010		25724	29200	23980	25800			24699	30000	23021	26600		
2L-406	3.00	19515	33200	18396	29400	17492	26200	18148	34500	17108	30500	16272	27200
2L-408		23754	32200	22200	28600	20713	25400	22378	33900	21312	29700	19880	26400
2L-4010		26378	31400	24885	27800	23370	24600	25070	32600	23882	28900	22432	25500
2H-406	5.00	21086	38800	20634	35700	20182	34500	19606	40300	19187	37100	18769	35800
2H-408		25996	38300	25119	35100	24420	33500	24953	39800	24109	36500	23443	34800
2H-4010		30084	37100	28122	34500	27479	32900	28874	38500	26988	35900	26378	34200
2L-416	1.50	16724	24400					15549	25200				
2L-418		19980	23600					18981	24200				
2L-4110		22672	23200					20863	23800				
2L-416	2.00	17176	25600	16046	23200			15956	26400	14916	22800		
2L-418		21534	25200	18870	21800			20047	26000	17938	22400		
2L-4110		23544	24800	21582	21400			21669	25600	19860	22000		
2H-416	3.50	19436	32400	18758	30000	18080	28000	18080	33400	17425	31100	16814	28800
2H-418		23754	31600	22644	29600	21756	27600	22555	32600	21512	30400	20646	28400
2H-4110		26378	30800	25724	29200	24634	27200	24263	31600	23675	30000	22672	28000

Base Model	Rows Deep	Tube High	Face Area sq ft	Fans	Approximate Weight lb			Coil Volume cu ft	Total Surface sq ft		Water Defrost gpm	Dimensions length x height
					Steel	SS/Al	Al/Al		3 FPI	4 FPI		
					336	6	20		33.0	2 x 30"		
338	8	3700	2200	1800	4.2	3164		3916			40	
3310	10	5200	2500	2000	5.2	3956		4896			48	
386	6	22	36.4	2 x 36"	3400	2100	1800	3.4	2618	3241	36	137" x 55"
368	8				4000	2500	2000	4.6	3481	4321	44	
3610	10				5500	2700	2200	5.8	4364	5402	52	
406	6	24	39.6	2 x 36"	3800	2300	2000	3.8	2848	3525	40	137" x 59"
408	8				4300	2600	2200	5.0	3798	4701	48	
4010	10				5600	2800	2400	6.2	4748	5877	56	
416	6	20	40.0	2 x 30"	3850	2350	2080	4.0	2878	3560	40	161" x 51"
418	8				4500	2650	2300	5.3	3836	4748	48	
4110	10				5700	3000	2500	6.6	4796	5936	56	

Two Fan Unit

Model	Horsepower each	4 Fins per inch						3 Fins per inch					
		0" ESP		1/4" ESP		1/2" ESP		0" ESP		1/4" ESP		1/2" ESP	
		BTUH/ °TD	BTUH/ CFM	BTUH/ °TD	BTUH/ CFM	BTUH/ °TD	BTUH/ CFM	BTUH/ °TD	BTUH/ CFM	BTUH/ °TD	BTUH/ CFM	BTUH/ °TD	BTUH/ CFM
2S-446	1.50	18396	27000					16656	27400				
2S-448		21490	25800					20024	26200				
2S-4410		24416	25200					23261	25800				
2L-446	2.00	20137	32400	18645	27800			18396	33000	16973	28400		
2L-448		23932	31600	22200	27000			22466	32200	20868	27600		
2L-4410		27097	31200	24939	26200			25746	31800	23697	26800		
2L-446	3.00	21131	33600	19413	30600	18396	27000	19233	33800	17651	31200	16724	27600
2L-448		25086	32800	23443	29600	21734	26200	23643	33400	22022	30200	20313	26800
2L-4410		28296	32200	26378	29200	24699	25600	26879	32800	25048	29800	23457	26200
2L-446	5.00	22871	41200	21877	37200	20634	32100	20815	42000	19911	37800	18781	33400
2L-448		27839	40000	26129	35800	24420	31800	26152	40800	24420	36400	22822	32800
2L-4410		30694	38600	29256	35000	27577	31400	29168	39400	27795	35600	26160	32200
2S-466	1.50	19752	29000					18363	30400				
2S-468		23221	27800					22311	29200				
2S-4610		26073	27200					25026	28400				
2S-446	2.00	21560	35000	19752	29800			20001	36400	18476	31000		
2S-468		25774	34200	23754	29000			24642	35400	22799	30200		
2S-4610		29081	33800	26574	28000			27926	35000	25506	29200		
2L-466	3.00	21832	36600	21312	33600	20024	30600	20306	37800	19820	34800	18622	31800
2L-468		26551	35800	25264	32800	23754	29800	25486	36800	24242	34200	22799	31000
2L-4610		29583	34800	28580	32400	26814	29200	28395	35800	27446	33600	25746	30400
2L-466	5.00	24860	45000	24431	43600	23391	39600	23120	46800	22724	45400	21753	41200
2L-468		30636	44000	29104	41800	28083	38200	29415	45800	27950	43400	26951	39800
2L-4610		33855	42800	32591	40800	31239	37200	32504	44400	31283	42400	29986	38600
2S-486	1.50	19526	27400					17764	28000				
2S-488		22644	26600					21179	27200				
2S-4810		25375	25800					24111	26400				
2L-486	2.00	21154	32600	19685	28400			19662	33200	18012	29000		
2L-488		25308	32000	23177	27600			23665	32600	21667	28200		
2L-4810		28776	31600	26160	27200			27337	32200	24852	27800		
2L-486	3.00	21425	34000	20611	30800	19526	27400	19504	34600	18758	31400	17764	28000
2L-488		25841	33200	24509	30400	22910	26800	24154	33800	22910	31000	21423	27400
2L-4810		29299	32600	27708	29600	25637	26000	27817	33200	26334	30200	24198	26600
2L-486	5.00	24137	41600	22781	38000	21470	34200	21967	42400	20724	38800	19504	34600
2L-488		29038	40200	27439	36600	26107	33400	27151	41000	25663	37400	24420	34000
2L-4810		32438	39000	30869	35600	29299	32600	30803	39800	29321	36400	27795	33200
2S-516	1.50	20747	29800					19300	31000				
2S-518		24420	28800					22999	30000				
2S-5110		27577	28200					26465	29400				
2S-516	2.00	22419	35200	21018	30800			20849	36600	19549	32000		
2S-518		26973	34200	25042	29800			25619	37600	24043	31000		
2S-5110		30280	33400	28122	29200			29059	35800	26988	30400		
2L-516	3.00	22984	37000	21854	33800	20905	30200	21380	38400	20329	35000	19436	31600
2L-518		27528	36200	26152	33200	25042	29800	25863	37600	25108	34400	24043	31000
2L-5110		31087	35600	29735	32600	28122	29200	29844	37000	28558	33800	26988	30400
2L-516	5.00	26216	47200	25222	44200	24657	41200	24385	49000	23459	45800	22702	42800
2L-518		31924	46000	30547	43000	29459	37600	30636	47800	29326	44600	27284	41200
2L-5110		35687	45000	34924	42000	32983	38600	34248	46800	33746	43600	30847	40200

Base Model	Rows Deep	Tube High	Face Area sq ft	Fans	Approximate Weight lb			Coil Volume cu ft	Total Surface sq ft		Water Defrost gpm	Dimensions length x height
					Steel	SS/Al	Al/Al		3 FPI	4 FPI		
					446	6						
448	8	22	44.0	2 x 36"	4700	2700	2400	5.6	4220	5222	52	161" x 55"
4410	10				5900	3100	2600	7.0	5276	6530	60	
466	6				4700	2600	2200	4.4	3324	4113	48	
468	8	28	46.2	2 x 42"	5100	2900	2500	5.8	4431	5485	56	137" x 68"
4610	10				6400	3300	2800	7.2	5539	6856	64	
486	6				4200	2600	2400	4.6	3454	4276	48	
488	8	24	48.0	2 x 36"	5200	2900	2600	6.0	4504	5698	56	161" x 59"
4810	10				6300	3200	2900	7.6	5758	7124	58	
516	6				4400	2600	2300	4.8	3561	4407	48	
518	8	30	49.5	2 x 42"	5400	3100	2700	6.3	4746	5874	60	137" x 72"
5110	10				6700	3500	3000	8.4	5934	7344	70	

Two Fan Unit

Model	Horsepower each	4 Fins per inch						3 Fins per inch					
		0" ESP		1/4" ESP		1/2" ESP		0" ESP		1/4" ESP		1/2" ESP	
		BTUH/°TD	BTUH/CFM	BTUH/°TD	BTUH/CFM	BTUH/°TD	BTUH/CFM	BTUH/°TD	BTUH/CFM	BTUH/°TD	BTUH/CFM	BTUH/°TD	BTUH/CFM
2S-536	1.50	21447	31000					19832	32000				
2S-538		25108	30000					23221	31500				
2S-5310		28340	29200					26923	30000				
2S-536	2.00	23210	36200	21741	31800			21470	38000	20193	32800		
2S-538		27706	35400	25685	30800			25885	37600	23754	32000		
2S-5310		31457	34600	28907	30000			29888	36200	27468	31200		
2L-536	3.00	23594	37000	22329	34200	21606	31200	21820	39000	20656	36000	19967	32400
2L-538		28283	36900	27084	33400	25685	30800	26152	38400	25419	35200	24309	32000
2L-5310		32024	35800	30520	32800	28907	30000	30433	37600	28994	34800	27468	31200
2L-536	5.00	27030	47600	25764	44400	24679	41200	25007	50000	23832	46800	22826	43800
2L-538		32612	46800	31080	43400	29970	40000	31058	48800	28749	45600	27750	42200
2L-5310		36842	45400	35142	42400	33441	38000	35011	47400	33376	44600	31763	40800
2L-536	7.50	29674	56000	29086	54000	27572	49400	27448	57000	26905	55200	25504	51800
2L-538		36630	53200	35209	51200	32900	47200	34255	54200	32567	52400	30436	49400
2L-5310		40112	51800	38542	49600	36995	45800	38106	53400	36624	50800	34727	47800
2S-566	1.50	22555	31800					20204	32800				
2S-568		26196	30800					24398	32200				
2S-5610		29713	30000					28231	31400				
2S-566	2.00	24137	37000	23097	33000			21832	38600	20656	33000		
2S-568		29015	36000	26862	32000			26840	37800	24842	32600		
2S-5610		32700	35200	30324	31400			31065	37000	28798	32000		
2L-566	3.00	24770	38000	23527	34600	22826	32000	22419	39400	21289	36400	20656	33000
2L-568		29637	37200	28061	34000	26640	31000	27417	38800	25952	35200	24642	32400
2L-5610		33703	36600	31850	33200	30215	30400	32002	38400	30258	34600	28711	31600
2L-566	5.00	28250	49000	26984	45400	25945	42200	25561	50400	24431	47000	23481	44600
2L-568		34299	47800	32745	45000	31080	41600	31724	49400	30192	46400	28949	43200
2L-5610		37976	46800	37060	44400	35403	41000	36079	48800	35207	45800	33637	42800
2L-566	7.50	32273	58600	30171	55600	28476	51400	29380	60000	27301	55200	25764	52600
2L-568		38228	56000	36497	53600	34810	49800	35742	57600	33766	54500	32190	50800
2L-5610		42118	53800	40744	52000	39044	48000	40003	55000	38695	53600	36537	49800
2S-616	2.00	25086	37600					22600	39400				
2S-618		30303	36200					28016	38200				
2S-6110		34008	35600					32308	37600				
2L-616	3.00	25425	38400	24408	35200	23391	32200	23007	39800	22080	36000	21176	33600
2L-618		30636	37600	28860	34400	27306	31200	28349	39200	26684	35600	25264	32800
2L-6110		34880	37000	32700	33800	31392	30600	33136	38800	31065	35000	29822	32000
2L-616	5.00	29154	49400	28137	46000	26781	42800	26374	51600	25470	48000	24227	45000
2L-618		35298	48400	33966	45200	32634	41800	32656	50400	31413	47000	30192	44000
2L-6110		39894	47000	38259	44600	36624	41200	37910	49600	36341	46400	34793	43400
2L-616	7.50	32894	60800	31527	55800	30510	52800	29764	63200	28521	58800	27617	55400
2L-618		39960	58800	38317	54600	36297	50800	36996	61400	35431	57400	33566	53200
2L-6110		44472	57400	42837	53600	40548	49200	42248	60400	40701	56200	38521	51600
2L-646	5.00	30374	49800	29290	47400	28566	43400	27482	51800	26510	49600	25854	45200
2L-648		36230	48800	34810	45800	33300	42400	33522	50800	32190	48000	30791	44400
2L-6410		41158	48200	39763	45000	38019	41800	39109	50200	37779	47200	36123	43800
2L-646	7.50	33900	61800	32906	58400	31459	53600	30691	64600	29640	61000	28476	56000
2L-648		41558	60200	39782	56400	37651	51800	38450	63000	37130	59000	34832	54000
2L-6410		46390	59000	44254	55000	42205	50800	44058	61600	42074	57800	40090	53200

Base Model	Rows Deep	Tube High	Face Area sq ft	Fans	Approximate Weight lb			Coil Volume cu ft	Total Surface sq ft		Water Defrost gpm	Dimensions length x height
					Steel	SS/Al	Al/Al		3 FPI	4 FPI		
					536	6						
538	8	32	52.8	2 x 42"	5700	3300	2800	6.6	5064	6269		137" x 76"
5310	10				7100	3600	3100	8.2	6330	7837		
566	6				4900	2900	2500	5.4	4028	4984	56	
568	8	28	56.2	2 x 42"	6000	3300	2900	7.2	5370	6648	68	161" x 68"
5610	10				7400	3800	3300	9.0	6714	8310	80	
616	6				5310	3200	2700	5.8	4316	5340	64	
618	8	30	60.2	2 x 42"	6300	3500	3100	7.8	5754	7122	72	161" x 72"
6110	10				7900	3900	2500	9.8	7194	8904	84	
646	6				5400	3100	2900	6.4	4604	5696		
648	8	32	64.0	2 x 42"	6700	3600	3300	8.6	6138	7596		161" x 76"
6410	10				8400	4100	3700	10.8	7674	9498		

Three Fan Unit

Model	Horsepower each	4 Fins per inch						3 Fins per inch					
		0" ESP		1/4" ESP		1/2" ESP		0" ESP		1/4" ESP		1/2" ESP	
		BTUH/ °TD	BTUH/ CFM	BTUH/ °TD	BTUH/ CFM	BTUH/ °TD	BTUH/ CFM	BTUH/ °TD	BTUH/ CFM	BTUH/ °TD	BTUH/ CFM	BTUH/ °TD	BTUH/ CFM
3L-226	0.33	7920	10320					6720	10440				
3L-228		8940	9960					8010	10080				
3L-2210		9840	9600					9030	9750				
3L-226	0.50	9180	12840					7830	13080				
3L-228		10620	12210					9450	12510				
3L-2210		11820	11640					10740	12000				
3L-226	0.75	9420	13680					8220	13980				
3L-228		11010	12900					9960	13260				
3L-2210		12090	12120					10980	12540				
3L-266	0.33	10170	13560					8730	13920				
3L-268		11340	12600					10320	12990				
3L-2610		12000	11700					11250	12150				
3S-266	0.50	10380	13920					8880	14280				
3S-268		11730	13020					10590	13410				
3S-2610		12510	12210					11730	12630				
3L-266	0.50	10560	14400					8970	14640				
3L-268		12120	13740					10920	14040				
3L-2610		13440	13140					12210	13440				
3L-266	0.75	11040	16140					9660	16530				
3L-268		12990	15330					11670	15720				
3L-2610		14310	14550					13020	14970				
3L-266	1.00	11970	18870					10410	19320				
3L-268		14160	17880					12660	18360				
3L-2610		15780	16980					14370	17550				
3S-306	0.50	11550	15210					9750	15480				
3S-308		12960	14430					11730	14760				
3S-3010		14070	13740					13080	14130				
3L-306	0.50	11580	15390					9810	15630				
3L-308		13290	14790					11970	15090				
3L-3010		14580	14220					13440	14520				
3L-306	0.75	12630	18540					11010	18840				
3L-308		14880	17580					13200	18000				
3L-3010		16410	16770					14940	17220				
3L-306	1.00	13290	20520					11520	21000				
3L-308		15660	19350					14190	19920				
3L-3010		17430	18300					15840	18930				
3L-306	1.50	13920	22440					12210	22950				
3L-308		16500	21390					14790	21930				
3L-3010		18570	20430					16800	21030				
3H-306	2.00	14880	25380	14400	23670			12990	25800	12510	24090		
3H-308		17940	24480	17190	22740			15990	24960	15330	23250		
3H-3010		19950	23580	19170	21960			18060	24180	17370	22470		
3H-306	3.00	16140	29130	15630	27300	14850	25260	14100	29640	13500	27900	12990	25860
3H-308		19530	27900	18720	26100	17760	24090	17310	28680	16620	26790	15870	24690
3H-3010		21540	26790	20610	24900	19650	22950	19500	27600	18690	25740	17850	23700

Base Model	Rows Deep	Tube High	Face Area sq ft	Fans	Approximate Weight lb			Coil Volume cu ft	Total Surface sq ft		Dimensions length x height
					Steel	SS/Al	Al/Al		3 FPI	4 FPI	
					226	6					
228	8	12	22.3	3 x 20"	2809	1605	1428	2.7	1974	2628	159" x 33"
2210	10				3512	2007	1786	3.3	2466	3285	
266	6				2457	1404	1250	2.4	1725	2295	
268	8	14	26.0	3 x 24"	3276	1872	1666	3.0	2301	3069	159" x 37"
2610	10				4095	2340	2083	3.9	2877	3834	
306	6				2809	1605	1428	2.7	1974	2628	
308	8	16	29.8	3 x 24"	3743	2139	1904	3.6	2628	3510	159" x 41"
3010	10				4683	2676	2382	4.5	3285	4383	

Three Fan Unit

Model	Horsepower each	4 Fins per inch						3 Fins per inch					
		0" ESP		1/4" ESP		1/2" ESP		0" ESP		1/4" ESP		1/2" ESP	
		BTUH/ °TD	BTUH/ CFM	BTUH/ °TD	BTUH/ CFM	BTUH/ °TD	BTUH/ CFM	BTUH/ °TD	BTUH/ CFM	BTUH/ °TD	BTUH/ CFM	BTUH/ °TD	BTUH/ CFM
3S-386	1.00	15930	23580					14040	24360				
3S-388		18450	21720					16710	22590				
3S-3810		20130	20190					18660	21030				
3L-386	1.00	16890	26280					14640	27090				
3L-388		19860	24600					17940	25440				
3L-3810		21900	23040					19980	24030				
3L-386	1.50	17820	29130					15660	30270				
3L-388		20670	26820					18690	27990				
3L-3810		22950	24960					20940	26100				
3L-386	2.00	18840	32490	17400	28140			16485	33570	15390	29160		
3L-388		22320	30360	20280	25710			20100	31440	18330	27000		
3L-3810		24330	28290	22320	23880			22290	29520	20460	24930		
3L-386	3.00	19800	35070	18300	30510	16470	25440	17370	36390	16080	31770	14400	26400
3L-388		23250	32280	21390	28200	19080	23220	20880	33750	19230	29340	17580	24480
3L-3810		25200	30030	23430	26070	20970	21690	23130	31530	21480	27480	19200	22620
3H-386	3.00	20250	36720	19470	33870	18330	30720	17850	37740	16860	34830	16020	31500
3H-388		24390	34830	23115	31980	21780	28980	21690	35940	20790	32940	19470	29925
3H-3810		26760	33090	25365	30390	23970	27450	24300	34350	23100	31500	21870	28440
3H-386	5.00	22350	41910	21180	38910	20010	35820	19710	43080	18720	40050	17550	36930
3H-388		26640	39390	25110	36570	23790	33540	23880	40830	22590	37980	21270	34890
3H-3810		28800	37290	27390	34530	26010	31620	26640	38910	25020	36000	23760	32910
3S-456	1.00	18210	25170					15570	25800				
3S-458		20760	23580					18810	24240				
3S-4510		22710	22170					20850	22890				
3L-456	1.00	18930	27780					16620	28470				
3L-458		22260	26280					20010	27000				
3L-4510		24600	25020					22350	25740				
3L-456	1.50	20145	31200					17358	31920				
3L-458		23580	29130					21390	30120				
3L-4510		26130	27390					23820	28500				
3L-456	2.00	21210	34530	19635	30210			18600	35460	17205	30900		
3L-458		24960	32490	23040	28140			22440	33570	20970	29160		
3L-4510		27900	30750	25575	26490			25290	31830	23220	27450		
3L-456	3.00	22170	37590	20610	32760	18870	27480	19470	38700	18060	33750	16530	28200
3L-458		26250	35070	24240	30510	21810	25440	23610	36390	21720	31530	19860	26400
3L-4510		28800	33030	26790	28650	23940	23850	26340	34410	24480	29820	21840	24810
3H-456	3.00	22380	38370	21630	35550	20430	32130	19590	39120	18780	36180	17670	32760
3H-458		26970	36840	25680	33870	24300	30720	24090	37620	22980	34830	21705	31500
3H-4510		29910	35400	28560	32460	27240	29460	27120	36330	25950	33390	24705	30240
3H-456	5.00	24300	43980	23439	41025	22230	37800	21300	45000	20250	41895	19440	38610
3H-458		29310	41895	27990	38925	26550	35820	26025	43080	24945	40035	23790	36930
3H-4510		32250	40035	30900	37290	29310	34140	29184	41310	27945	38430	26700	35250

Base Model	Rows Deep	Tube High	Face Area sq ft	Fans	Approximate Weight lb			Coil Volume cu ft	Total Surface sq ft		Dimensions length x height
					Steel	SS/Al	Al/Al		3 FPI	4 FPI	
386	6				3512	3007	1786	3.3	2466	3285	
388	8	20	37.2	3 x 30"	4683	2676	2382	4.5	3288	4383	159" x 50"
3810	10				5854	3345	2977	5.7	4110	5478	
456	6				4211	2406	2141	3.9	2958	3945	
458	8	24	44.7	3 x 30"	5618	3210	2857	5.4	3948	5259	159" x 58"
4510	10				7019	4011	3570	6.6	4929	6576	

Three Fan Unit

Model	Horsepower each	4 Fins per inch						3 Fins per inch					
		0" ESP		1/4" ESP		1/2" ESP		0" ESP		1/4" ESP		1/2" ESP	
		BTUH/°TD	BTUH/CFM	BTUH/°TD	BTUH/CFM	BTUH/°TD	BTUH/CFM	BTUH/°TD	BTUH/CFM	BTUH/°TD	BTUH/CFM	BTUH/°TD	BTUH/CFM
3L-506	1.00	21255	31200					19696	32400				
3L-508		24975	30300					23976	31500				
3L-5010		28580	29700					27435	30900				
3L-506	1.50	22374	35700	20679	29700			20815	37200	19210	30600		
3L-508		26640	34500	24176	28200			25530	36000	23210	29100		
3L-5010		29953	33600	26978	27300			28776	34800	25898	28200		
3L-506	2.00	22916	38100	21798	34200			21323	39600	20272	35400		
3L-508		27184	37200	26107	33300			26640	38700	25075	34500		
3L-5010		31294	36000	29397	32700			30051	37500	28220	33300		
3H-506	3.00	26273	48000	25934	45000	24611	42300	24408	49800	24103	46800	22883	44100
3H-508		31868	46800	30969	43200	29404	40800	30370	48600	29737	44700	28238	42000
3H-5010		34826	45900	33191	42600	32373	39900	32111	47700	31850	44100	31294	41100
3S-556	1.00	23063	33300					21527	34600				
3S-558		27273	32700					26174	33100				
3S-5510		30651	31200					29430	32200				
3L-556	2.00	26849	45300	25018	39300			24973	46500	23278	40500		
3L-558		32068	43200	29670	37800			30470	44400	28183	39000		
3L-5510		35905	41500	33256	36700			34106	42700	31588	37800		
3L-556	3.00	27764	48900	26216	43200	24679	38100	25821	50900	24385	44800	22950	39600
3L-558		33300	47300	31524	41500	29082	36600	31968	49000	30248	43200	27928	37900
3L-5510		36907	45600	35120	40300	32700	35400	35414	47400	33714	42000	31392	36800
3H-556	5.00			29312	52900	27606	50600			27256	55000	26668	52500
3H-558				35764	51300	34854	49400			34332	53300	33522	51300
3H-5510				40167	50200	38978	48300			38553	52200	37409	50250
3L-586	1.50	25086	36000					23323	37800				
3L-588		29970	35400					28472	36300				
3L-5810		34008	34800					31305	35700				
3L-586	2.00	25764	38400	24069	33300			23933	39600	22374	34200		
3L-588		32301	37800	28305	32700			30070	39000	26906	33600		
3L-5810		35316	37620	32373	32100			32558	38400	29790	33000		
3H-586	3.00	29154	48600	28137	45000	27120	42000	27120	50100	27018	46500	25222	43200
3H-588		35631	47400	33966	44400	32634	41400	33833	48900	32268	45600	30969	42600
3H-5810		39567	46200	38586	43800	36951	40800	36395	47400	35512	45000	34008	42000
3S-606	1.00	24216	33900					22532	34800				
3S-608		28416	33000					27273	33900				
3S-6010		32133	32400					30836	33300				
3L-606	2.00	28476	47100	26781	41100			26476	48400	24894	42300		
3L-608		34299	45300	31968	39600			32934	46600	30692	40800		
3L-6010		38586	43800	35970	38700			36395	45000	34531	39900		
3L-606	3.00	29267	49800	27595	44100	26239	39300	27222	51700	25662	45700	24408	40800
3L-608		34965	48300	33300	42900	31069	38100	33566	50900	31968	44500	29837	39600
3L-6010		39240	47100	37322	41700	35054	36900	37605	48900	35828	43300	33648	38300
3H-606	5.00	31629	58200	30951	53500	30273	51800	29414	60400	28781	55600	28148	53700
3H-608		38994	57400	37673	52600	36630	50200	37429	59700	36164	54700	35165	52200
3H-6010		45126	55600	42183	51700	41213	49300	43306	57700	40483	53800	39567	51300

Base Model	Rows Deep	Tube High	Face Area sq ft	Fans	Approximate Weight lb			Coil Volume cu ft	Total Surface sq ft		Water Defrost gpm	Dimensions length x height
					Steel	SS/Al	Al/Al		3 FPI	4 FPI		
					506	6	20		49.5	3 x 30"		
508	8	5600	3300	2800	6.3	4746		5874			60	
5010	10	6900	3600	3200	8.4	5934		7344			72	
556	6	22	54.6	3 x 36"	5000	3100	2600	5.0	3928	4863	54	193" x 56"
558	8				6300	3500	3000	6.9	5237	6484	66	
5510	10				7600	3900	3400	8.7	6546	8105	78	
586	6	20	60.0	3 x 30"	5200	3150	2650	5.7	4316	5342	60	229" x 52"
588	8				6400	3700	3050	7.5	5755	7123	72	
5810	10				7900	4000	3450	9.3	7194	8904	84	
606	6	24	59.5	3 x 36"	5300	3200	2700	5.7	4280	5298	60	193" x 60"
608	8				6500	3800	3100	7.5	5707	7064	72	
6010	10				8000	4100	3500	9.3	7134	8830	84	

Three Fan Unit

Model	Horsepower each	4 Fins per inch						3 Fins per inch					
		0" ESP		1/4" ESP		1/2" ESP		0" ESP		1/4" ESP		1/2" ESP	
		BTUH/ °TD	BTUH/ CFM	BTUH/ °TD	BTUH/ CFM	BTUH/ °TD	BTUH/ CFM	BTUH/ °TD	BTUH/ CFM	BTUH/ °TD	BTUH/ CFM	BTUH/ °TD	BTUH/ CFM
3S-656	1.50	27595	40500					24984	41100				
3S-658		32234	38700					30037	39300				
3S-6510		36689	37800					34880	38700				
3L-656	2.00	30205	48600	27968	41700			27595	49500	25459	42600		
3L-658		35897	47400	33300	40500			33700	48300	31302	41400		
3L-6510		40646	46800	37409	39300			38619	47700	35545	40200		
3L-656	3.00	31697	50400	29086	45900	27595	40500	28849	50700	26476	46800	25086	41400
3L-658		37729	49200	35165	44400	32601	39300	35465	50100	33034	45300	30470	40200
3L-6510		42445	48600	39567	43800	37049	38400	40319	49200	37572	44700	35185	39300
3L-656	5.00	34307	61800	32815	55800	30951	49200	31222	63000	29866	56700	28171	50100
3L-658		41758	60000	39194	53700	36630	47700	39227	61200	36630	54600	34232	49200
3L-6510		46042	57900	43883	52500	41366	47100	43753	59100	41693	53400	39240	48300
3S-706	1.50	29629	43500					27549	45600				
3S-708		34832	41700					33467	43800				
3S-7010		39109	40800					37540	42600				
3S-706	2.00	32341	52500	29629	44700			30002	54600	27719	46500		
3S-708		38661	51300	35631	43500			36963	53100	34199	45300		
3S-7010		43600	50700	39861	42000			41889	52500	38259	43800		
3L-706	3.00	32747	54900	31968	50400	30035	45900	30465	56700	29730	52200	27934	47700
3L-708		39827	53700	37895	49200	35631	44700	38228	55200	36364	51300	34199	46500
3L-7010		44374	52200	42870	48600	40221	43800	42597	53700	41093	50400	38619	45600
3L-706	5.00	37290	67500	36646	65400	35087	59400	34680	70200	34081	68100	32634	61800
3L-708		45954	66000	43656	62700	42125	57300	44123	68700	41925	65100	40426	59700
3L-7010		50783	64200	48887	61200	46859	55800	48756	66600	46925	63600	44973	57900
3S-726	1.50	29290	41100					26645	42000				
3S-728		33966	39900					31768	40800				
3S-7210		38063	38700					36166	39600				
3L-726	2.00	31730	48900	29290	42600			28883	49800	27018	43500		
3L-728		37962	48000	34765	41400			35498	48900	32501	42300		
3L-7210		43164	47400	39240	40800			41006	48300	37278	41700		
3L-726	3.00	32137	51000	30917	46200	29290	41100	29256	51900	28137	47100	26645	42000
3L-728		38761	49800	36763	45600	34066	40200	36230	50700	34366	46500	32135	41100
3L-7210		43949	48900	41594	44400	38455	39000	41725	49800	39502	45300	36330	39900
3L-726	5.00	36205	62400	34171	57000	32205	51300	32951	63600	31086	58200	29256	51900
3L-728		43556	60300	41159	54900	39161	50100	40726	61500	38495	56100	36630	51000
3L-7210		48658	58500	46303	53400	43949	48900	46205	59700	43982	54600	41725	49800
3S-746	1.50	31120	44700					28951	46500				
3S-748		36630	43200					34499	45000				
3S-7410		41366	42000					39698	44100				
3S-746	2.00	32951	52800	31527	46200			31278	54900	29324	48000		
3S-748		40460	51300	37163	44700			38428	56400	36064	46500		
3S-7410		45420	50100	42183	43800			43589	53700	40483	45600		
3L-746	3.00	34476	55500	32781	50700	31358	45300	32069	57600	30487	52500	29154	47400
3L-748		41292	54300	39227	49800	37562	44700	38795	56400	37662	51600	36064	46500
3L-7410		46630	53400	44603	48900	42183	43800	44766	55500	42837	50700	40483	45600
3L-746	5.00	39324	70800	37832	66300	36985	61800	36578	73500	35188	68700	34725	64200
3L-748		47885	69900	45821	64500	44189	59400	45954	71700	43989	66900	40926	61800
3L-7410		53530	67500	52385	63000	49475	57900	51372	70200	48658	65400	46271	60300

Base Model	Rows Deep	Tube High	Face Area sq ft	Fans	Approximate Weight lb			Coil Volume cu ft	Total Surface sq ft		Water Defrost gpm	Dimensions length x height
					Steel	SS/Al	Al/Al		3 FPI	4 FPI		
					656	6						
658	8	22	66.0	3 x 36"	7100	4000	3200	8.3	6330	7833	78	229" x 56"
6510	10				8900	4500	3700	10.4	7914	9795	90	
706	6				6100	3600	2900	6.7	4985	6170	72	
708	8	28	69.3	3 x 42"	7400	4100	3300	8.8	6647	8227	84	193" x 69"
7010	10				9200	4600	3800	10.9	8309	10284	96	
726	6				6200	3800	3000	6.7	5181	6408	72	
728	8	24	72.0	3 x 36"	7600	4200	3400	8.8	6906	8547	84	229" x 60"
7210	10				9500	4700	3900	10.9	8634	10686	96	
746	6				6300	3700	3100	7.1	5345	6615	78	
748	8	30	74.3	3 x 42"	7800	4300	3500	9.4	7127	8821	90	193" x 73"
7410	10				9700	4800	4000	11.7	8908	11026	102	

Three Fan Unit

Model	Horsepower each	4 Fins per inch						3 Fins per inch					
		0" ESP		1/4" ESP		1/2" ESP		0" ESP		1/4" ESP		1/2" ESP	
		BTUH/°TD	BTUH/CFM	BTUH/°TD	BTUH/CFM	BTUH/°TD	BTUH/CFM	BTUH/°TD	BTUH/CFM	BTUH/°TD	BTUH/CFM	BTUH/°TD	BTUH/CFM
3S-796	1.50	32171	46500					29753	48000				
3S-798		37662	45000					34832	47200				
3S-7910		42510	43800					40330	45000				
3S-796	2.00	34815	54300	32612	47700			32205	57000	30284	49200		
3S-798		41514	53100	38528	46200			38828	56400	35631	48000		
3S-7910		47186	51900	43360	45000			44832	54300	41202	46800		
3L-796	3.00	35392	55500	33493	51300	32408	46800	32725	58500	30985	54000	29945	8600
3L-798		42424	54600	40693	50100	38528	46200	39227	57600	37629	52800	36464	148000
3L-7910		48036	53700	45780	49200	43360	45000	45649	56400	43491	52200	41202	146800
3L-796	5.00	40544	71400	38646	66600	37019	61800	37516	75000	35753	70200	34239	65700
3L-798		48918	70200	46620	65100	44955	60000	46587	73200	43124	68400	41625	63300
3L-7910		55263	68100	52712	63600	50162	57000	52516	71100	50064	66900	47644	61200
3L-796	7.50	44511	84000	43629	81000	41358	74100	41177	85500	40364	82800	37493	77700
3L-798		54945	79800	52814	76800	49351	70800	51382	81300	48840	78600	45654	74100
3L-7910		60168	77700	57814	74400	55492	68700	57160	80100	54936	76200	52091	71700
3S-846	1.50	33832	47700					30307	49200				
3S-848		39294	46200					36597	48300				
3S-8410		44570	45000					42347	47100				
3S-846	2.00	36160	55500	34646	49500			32747	57900	30985	49500		
3S-848		43523	54000	40293	48000			40260	56700	37263	48900		
3S-8410		49050	52800	45486	47100			46598	55500	43197	48000		
3L-846	3.00	37154	57000	35290	51900	34239	48000	33629	59100	31934	54600	30985	49500
3L-848		44400	55800	42091	51000	39960	46500	41126	58200	39594	52800	36963	8600
3L-8410		50554	55500	47775	49800	45322	45600	48004	57600	45388	51900	43066	47400
3L-846	5.00	42375	73500	40477	68100	38872	63300	38341	75600	36646	70500	35222	66900
3L-848		51449	71700	49118	67500	46620	62400	47586	74100	45421	69600	43423	64800
3L-8410		56963	70200	55590	66600	53105	61500	54119	73200	52811	68700	50456	64200
3L-846	7.50	48409	88200	45200	83400	42714	77100	44070	90000	40951	85800	38646	78900
3L-848		57343	84000	54745	80400	52170	74700	53613	85800	50649	83100	48285	76200
3L-8410		63176	80700	61116	78000	57683	72000	59950	82500	58043	80400	54805	74700
3S-906	2.00	37629	56400					33900	59100				
3S-908		45455	54300					42025	57300				
3S-9010		51012	53400					48461	56400				
3L-906	3.00	38171	57600	36612	52800	35030	48300	34510	60750	33120	54000	31764	0400
3L-908		45954	56400	43290	51600	40959	46800	42524	58800	40027	53460	37895	49200
3L-9010		52320	55500	49050	50700	48069	45900	49704	58200	46598	52500	44701	148000
3L-906	5.00	43731	74100	42206	69000	40115	64200	39561	77400	38205	72000	36341	67500
3L-908		52947	72600	50949	67800	48951	62700	48984	75600	47120	70500	45288	6000
3L-9010		59841	70600	57389	66900	54936	61800	56865	74400	54500	69600	52189	65100
3L-906	7.50	49325	91200	47291	83700	45765	79200	44646	94800	42782	88200	41426	83100
3L-908		59940	88200	57443	81900	54390	76200	55445	92100	53147	86100	50350	79800
3L-9010		66708	86100	64256	80400	60822	73800	63373	90600	61040	84300	57770	77400
3L-966	5.00	46127	74700	43844	69300	42850	65100	41222	77700	39765	74400	38782	67800
3L-968		54346	73200	52170	68100	49950	63600	50283	76200	48285	72000	46187	66600
3L-9610		61520	72300	59645	67500	57029	62700	58664	75300	56669	70800	54184	65700
3L-966	7.50	50850	92700	48793	87600	47189	80400	46036	96900	44680	91500	42714	84000
3L-968		62338	90300	59674	84600	56477	77700	57676	94500	55694	88500	52248	81000
3L-9610		69586	88500	66446	82500	63307	76200	66087	92400	63111	86700	60135	71800

Base Model	Rows Deep	Tube High	Face Area sq ft	Fans	Approximate Weight lb			Coil Volume cu ft	Total Surface sq ft		Water Defrost gpm	Dimensions length x height
					Steel	SS/Al	Al/Al		3 FPI	4 FPI		
796	6				6800	4000	3200	7.5	5698	7052		
798	8				8300	4700	3700	9.9	7597	9402		
7910	10	32	79.2	3 x 42"	10500	5100	4400	12.3	9496	11753		193" x 77"
846	6				7300	4300	3300	7.9	6042	7476	84	
848	8	28	84.3	3 x 42"	8900	4900	3900	10.6	8055	9972	102	228" x 69"
8410	10				11000	5500	4600	13.2	10071	12465	114	
906	6				7600	4400	3500	8.5	6474	8010	96	
908	8	30	90.0	3 x 42"	9400	5100	4100	11.5	8631	10683	108	228" x 73"
9010	10				11700	5700	4800	14.4	10791	13356	120	
966	6				8000	4500	3700	9.4	6906	8544		
968	8	32	96.0	3 x 42"	9800	5650	4300	12.6	9207	11394		228" x 77"
9610	10				12300	6000	5000	15.9	11511	14247		

Four Fan Unit

Model	Horsepower each	4 Fins per inch						3 Fins per inch					
		0" ESP		1/4" ESP		1/2" ESP		0" ESP		1/4" ESP		1/2" ESP	
		BTUH/ °TD	BTUH/ CFM	BTUH/ °TD	BTUH/ CFM	BTUH/ °TD	BTUH/ CFM	BTUH/ °TD	BTUH/ CFM	BTUH/ °TD	BTUH/ CFM	BTUH/ °TD	BTUH/ CFM
4L-296	0.33	10560	13760					8960	13920				
4L-298		11920	13280					10680	13440				
4L-2910		13120	12800					12040	13000				
4L-296	0.50	12240	17120					10440	17440				
4L-298		14160	16280					12600	16680				
4L-2910		15760	15520					14320	16000				
4L-296	0.75	12560	18240					10960	18640				
4L-298		14680	17200					13280	17680				
4L-2910		16120	16160					14640	16720				
4S-356	0.33	13560	18080					11640	18560				
4S-358		15120	16800					13760	17320				
4S-3510		16000	15600					15000	16200				
4S-356	0.50	13840	18560					11840	19040				
4S-358		15640	17360					14120	17880				
4S-3510		16680	16280					15640	16840				
4L-356	0.50	14080	19200					11960	19520				
4L-358		16160	18320					14560	18720				
4L-3510		17920	17520					16280	17920				
4L-356	0.75	14720	21520					12880	22040				
4L-358		17320	20440					15560	20960				
4L-3510		19080	19400					17360	19960				
4L-356	1.00	15960	25160					13880	25760				
4L-358		18880	23840					16880	24480				
4L-3510		21040	22640					19160	23400				
4S-406	0.50	15400	20280					13000	20640				
4S-408		17280	19240					15640	19680				
4S-4010		18760	18320					17440	18840				
4L-406	0.50	15440	20520					13080	20840				
4L-408		17720	19720					15960	20120				
4L-4010		19440	18960					17920	19360				
4L-406	0.75	16840	24720					14680	25120				
4L-408		19840	23440					17600	24000				
4L-4010		21880	22360					19920	22960				
4L-406	1.00	17720	27360					15360	28000				
4L-408		20880	25800					18920	26560				
4L-4010		23240	24400					21120	25240				
4L-406	1.50	18560	29920					16280	30600				
4L-408		22000	28520					19720	29240				
4L-4010		24760	27240					22400	28040				
4H-406	2.00	19840	33840	19200	31560			17320	34400	16680	32120		
4H-408		23920	32640	22920	30320			21320	33280	20440	31000		
4H-4010		26600	31440	25560	29280			24080	32240	23160	29960		
4H-406	3.00	21520	38840	20840	36400	19800	33680	18800	39520	18000	37200	17320	34480
4H-408		26040	37200	24960	34800	23680	32120	23080	38240	22160	35720	21160	32920
4H-4010		28720	35720	27480	33200	26200	30600	26000	36800	24920	34320	23800	31600

Base Model	Rows Deep	Tube High	Face Area sq ft	Fans	Approximate Weight lb			Coil Volume cu ft	Total Surface sq ft		Dimensions length x height
					Steel	SS/AI	AI/AI		3 FPI	4 FPI	
296	6				2807	1604	1428	2.8	1972	2628	
298	8	12	29.8	4 x 20"	3745	2140	1905	3.6	2632	3504	201" x 33"
2910	10				4683	2676	2382	4.4	3288	4380	
356	6				3276	1872	1666	3.2	2300	3060	
358	8	14	34.7	4 x 24"	4368	2496	2221	4.0	3068	4092	201" x 37"
3510	10				5460	3120	2777	5.2	3836	5112	
406	6				3745	2140	1905	3.6	3632	3504	
408	8	16	39.7	4 x 24"	4991	2852	2538	4.8	3504	4680	201" x 42"
4010	10				6244	3568	3176	6.0	4380	5844	

Four Fan Unit

Model	Horsepower each	4 Fins per inch						3 Fins per inch					
		0" ESP		1/4" ESP		1/2" ESP		0" ESP		1/4" ESP		1/2" ESP	
		BTUH/ °TD	BTUH/ CFM	BTUH/ °TD	BTUH/ CFM	BTUH/ °TD	BTUH/ CFM	BTUH/ °TD	BTUH/ CFM	BTUH/ °TD	BTUH/ CFM	BTUH/ °TD	BTUH/ CFM
4S-506	1.00	21240	31440					18720	32480				
4S-508		24600	28960					22280	30120				
4S-5010		26840	26920					24880	28040				
4L-506	1.00	22520	35040					19520	36120				
4L-508		26480	32800					23920	33920				
4L-5010		29200	30720					26640	32040				
4L-506	1.50	23760	38840					20880	40360				
4L-508		27560	35760					24920	37320				
4L-5010		30600	33280					27920	34800				
4L-506	2.00	25120	43320	23200	37520			21980	44760	20520	38880		
4L-508		29760	40480	27040	34280			26800	41920	24440	36000		
4L-5010		32440	37720	29760	31840			29720	39360	27280	33240		
4L-506	3.00	26400	46760	24400	40680	21960	33920	23160	48520	21440	42360	19200	35200
4L-508		31000	43040	28520	37600	25440	30960	27840	45000	25640	39120	23440	32640
4L-5010		33600	40040	31240	34760	27960	28920	30840	42040	28640	36640	25600	30160
4H-506	3.00	27000	48960	25960	45160	24440	40960	23800	50320	22480	46440	21360	42000
4H-508		32520	46440	30820	42640	29040	38640	28920	47920	27720	43920	25960	39900
4H-5010		35680	44120	33820	40520	31960	36600	32400	45800	30800	42000	29160	37920
4H-506	5.00	29800	55880	28240	51880	26680	47760	26280	57440	24960	53400	23400	49240
4H-508		35520	52520	33480	48760	31720	44720	31840	54440	30120	50640	28360	46520
4H-5010		38400	49720	36520	46040	34680	42160	35520	51880	33360	48000	31680	43880
4S-606	1.00	24280	33560					20760	34400				
4S-608		27680	31440					25080	32320				
4S-6010		30280	29560					27800	30520				
4L-606	1.00	25240	37040					22160	37960				
4L-608		29680	35040					26680	36000				
4L-6010		32800	33360					29800	34320				
4L-606	1.50	26860	41600					23144	42560				
4L-608		31440	38840					28520	40160				
4L-6010		34840	36520					31760	38000				
4L-606	2.00	28280	46040	26180	40280			24800	47280	22940	41200		
4L-608		33280	43320	30720	37520			29920	44760	27960	38880		
4L-6010		37200	41000	34100	35320			33720	42440	30960	36600		
4L-606	3.00	29560	50120	27480	43680	25160	36640	25960	51600	24080	45000	22040	37600
4L-608		35000	46760	32320	40680	29080	33920	31480	48520	28960	42040	26480	35200
4L-6010		38400	44040	35720	38200	31920	31800	35120	45880	32640	39760	29120	33080
4H-606	3.00	29840	51160	28840	47400	27240	42840	26120	52160	25040	48240	23560	43680
4H-608		35960	49120	34240	45160	32400	40960	32120	50160	30640	46440	28940	42000
4H-6010		39880	47200	38080	43280	36320	39280	36160	48440	34600	44520	32940	40320
4H-606	5.00	32400	58640	31252	54700	29640	50400	28400	60000	27000	55860	25920	51480
4H-608		39080	55860	37320	51900	35400	47760	34700	57440	33260	53380	31720	49240
4H-6010		43000	53380	41200	49720	39080	45520	38912	55080	37260	51240	35600	47000

Base Model	Rows Deep	Tube High	Face Area sq ft	Fans	Approximate Weight lb			Coil Volume cu ft	Total Surface sq ft		Dimensions length x height
					Steel	SS/Al	Al/Al		3 FPI	4 FPI	
506	6				4683	2676	2382	4.4	3288	4380	
508	8	20	49.6	4 x 30"	6244	3568	3176	6.0	4384	5844	201" x 50"
5010	10				7805	4460	3969	7.6	5480	7304	
606	6				5614	3208	2855	5.2	3944	5260	
608	8	24	59.6	4 x 30"	7490	4280	3809	7.2	5264	7012	201" x 59"
6010	10				9359	5348	4760	8.8	6572	8768	

Four Fan Unit

Model	Horsepower each	4 Fins per inch						3 Fins per inch					
		0" ESP		1/4" ESP		1/2" ESP		0" ESP		1/4" ESP		1/2" ESP	
		BTUH/ °TD	BTUH/ CFM	BTUH/ °TD	BTUH/ CFM	BTUH/ °TD	BTUH/ CFM	BTUH/ °TD	BTUH/ CFM	BTUH/ °TD	BTUH/ CFM	BTUH/ °TD	BTUH/ CFM
4L-686	1.00	28985	42000					26804	43600				
4L-688		34166	41000					32801	42000				
4L-6810		38771	40000					37267	41600				
4L-686	1.50	30137	47900					27877	49800				
4L-688		36430	46400					34965	48000				
4L-6810		41006	45400					39360	46800				
4L-686	2.00	31640	51400	29380	46200			29267	53900	27177	46200		
4L-688		37962	50000	35631	45500			36408	52000	34210	45500		
4L-6810		42510	49300	40265	44800			41093	51300	38651	44800		
4H-686	3.00	35550	64000	34397	60200	33233	57000	32883	66500	31821	62600	30454	59300
4H-688		43290	62600	41758	58800	40537	55200	41558	65100	40082	61100	38850	57400
4H-6810		48461	61200	46598	57440	45104	53800	46521	63600	44690	59700	43273	55900
4S-756	1.00	31482	45200					29120	46500				
4S-758		37185	43600					35698	44900				
4S-7510		41856	42500					40177	43700				
4L-756	2.00	36589	62000	34036	54200			34318	63800	31482	56300		
4L-758		43468	59700	40115	51900			41725	61400	38506	53900		
4L-7510		48429	58200	45137	50700			46489	59900	43328	52700		
4L-756	3.00	37437	65800	35731	59600			34635	68400	33053	61900		
4L-758		45133	63500	43046	57700			43290	66000	41203	60000		
4L-7510		50478	61200	47600	55800			48451	63600	45780	58000		
4H-756	5.00	41268	76000	40420	71800	39143	69100	38171	79000	37392	74600	36160	71800
4H-758		49728	74800	48840	69900	47641	67500	47730	77800	46886	72600	45732	70200
4H-7510		55808	73600	54609	68400	53356	66400	53574	76500	52429	71100	51219	69000
4S-826	1.50	35211	51600					32567	52600				
4S-828		41414	49200					38717	50200				
4S-8210		46478	47500					44581	49500				
4L-826	2.00	38454	62500	34748	50800			35177	63500	31798	51800		
4L-828		45965	60500	41414	49200			42979	61500	38717	50200		
4L-8210		51840	59200	46925	48400			49246	60200	44145	48900		
4L-826	3.00	41641	66800	37426	59600	34748	50800	36036	67100	34239	60600	31798	51800
4L-828		47330	64100	44600	57600	41414	49200	44256	65400	41703	58600	38717	50200
4L-8210		53181	62500	50947	56300	46925	48400	50522	63800	48396	57300	44145	48900
4L-826	5.00	43550	79300	41697	72600	38872	63100	39844	80600	38149	73900	35414	65600
4L-828		52792	76900	50061	69300	46420	60700	49362	78200	46809	70600	43401	63100
4L-8210		58991	74400	55863	67700	51840	59200	56037	75700	53072	69000	49246	61600

Base Model	Rows Deep	Tube High	Face Area sq ft	Fans	Approximate Weight lb			Coil Volume cu ft	Total Surface sq ft		Water Defrost gpm	Dimensions length x height
					Steel	SS/Al	Al/Al		3 FPI	4 FPI		
686	6	20	68.5	4 x 30"	6200	3900	3400	6.5	4928	6099	64	257" x 53"
688	8				7600	4400	3800	8.5	6570	8132	80	
6810	10				9300	4900	4300	10.5	8231	10165	96	
756	6	22	75.3	4 x 36"	7000	4300	3600	7.0	5417	6704	74	257" x 57"
758	8				8400	4800	4000	9.4	7223	8939	90	
7510	10				10400	5400	4500	11.8	9028	11174	106	
826	6	24	82.1	4 x 36"	7400	4450	3700	7.6	5896	7298	80	257" x 61"
828	8				8900	5050	4300	10.0	7864	9733	96	
8210	10				11100	5700	5000	12.8	9832	12169	112	

Four Fan Unit

Model	Horsepower each	4 Fins per inch						3 Fins per inch					
		0" ESP		1/4" ESP		1/2" ESP		0" ESP		1/4" ESP		1/2" ESP	
		BTUH/°TD	BTUH/CFM	BTUH/°TD	BTUH/CFM	BTUH/°TD	BTUH/CFM	BTUH/°TD	BTUH/CFM	BTUH/°TD	BTUH/CFM	BTUH/°TD	BTUH/CFM
4S-956	1.50	39053	57000					35346	59000				
4S-958		45821	55000					42380	58100				
4S-9510		51230	53330					49704	57500				
4S-956	2.00	43844	71000	41222	62600			39674	74400	37290	65100		
4S-958		52747	69100	49018	60700			48796	72400	45344	63500		
4S-9510		59645	67800	55459	59200			56658	71500	52691	62200		
4L-956	3.00	45019	73800	42850	67500	41222	62600	40737	77300	38782	71000	37290	65100
4L-958		53236	71900	51682	66000	49018	60700	50272	75400	47808	69500	45344	63500
4L-9510		60691	70400	58598	65100	55982	59700	57661	76800	55666	68500	53181	62600
4L-956	5.00	51528	93800	49901	87500	47731	81600	46635	97200	45200	92000	43200	85600
4L-958		62870	91000	60206	85600	57542	79800	58153	94900	55689	89100	53225	83700
4L-9510		70109	89100	66970	83200	64310	77800	66599	93000	63623	87100	61095	82700
4S-1056	1.50	42352	60600					39177	61800				
4S-1058		50161	58500					48152	59600				
4S-10510		55972	56400					53726	57500				
4S-1036	2.00	45200	71900	42940	63400			41810	74700	39720	65900		
4S-1038		54723	70900	50727	61600			52503	73700	48696	64000		
4S-10310		62130	69800	57094	60000			59645	72600	54805	62400		
4L-1036	3.00	46443	74700	44680	68600			42940	77600	41324	71300		
4L-1038		56432	72900	53580	67000			54168	75800	51426	69700		
4L-10310		63809	71800	60386	66000			61247	74600	58032	68600		
4L-1036	5.00	53381	94800	52217	89500	49901	82100	49381	98500	48308	93000	46161	85300
4L-1038		64979	92700	62693	87300	59274	79400	62371	96400	60184	90700	56899	82500
4L-10310		72768	90600	69967	84700	67166	78900	69847	94200	67166	88000	64474	82000
4L-1036	7.50			58026	104800	54545	97600			53675	108900	50455	101500
4L-1038				68964	101200	66112	93500			66200	105200	63392	97200
4L-10310				77237	97600	73324	90400			74142	101500	70381	94000
4S-1106	1.50	43968	63100					39787	66200				
4S-1108		52314	60900					48396	63900				
4S-11010		58533	59300					55590	62200				
4S-1106	2.00	48296	73200	44748	64800			43708	76800	40499	67800		
4S-1108		57176	71500	53114	63100			52892	75100	49129	66100		
4S-11010		64506	70400	59950	60900			61280	74000	56953	63900		
4L-1106	3.00	48963	75400	46613	69200	44748	64800	44307	79600	42183	70600	40499	66800
4L-1108		58386	73700	56166	68000	52503	62000	54002	77400	51948	69300	48563	65600
4L-11010		65705	72600	63547	67000	59950	60900	62424	76300	60375	68300	56953	63900
4L-1106	5.00	55732	97200	53449	90600	51585	84400	50432	102000	48364	95300	46680	88600
4L-1108		66911	94400	64713	88400	62271	82100	61894	97300	59862	93100	57609	86300
4L-11010		75265	91700	73139	87300	70142	81100	71504	96400	69488	92000	66632	85200
4L-1106	7.50	62715	116000	60907	109000	57178	99700	56749	120000	55121	116000	51743	106000
4L-1108		75702	109000	72039	103600	68376	95800	70041	112000	66600	110000	63248	101000
4L-11010		83930	106700	80933	100800	76736	92600	79734	110000	76889	07700	72899	99000

Base Model	Rows Deep	Tube High	Face Area sq ft	Fans	Approximate Weight lb			Coil Volume cu ft	Total Surface sq ft		Water Defrost gpm	Dimensions length x height
					Steel	SS/Al	Al/Al		3 FPI	4 FPI		
956	6				8500	4900	4000	9.0	6830	8455	96	
958	8	28	95.9	4 x 42"	10300	5600	4700	12.1	9110	11276	112	257" x 70"
9510	10				12800	6300	5400	15.0	11390	14098	128	
1036	6				8900	5300	4200	9.8	7388	9144	104	
1038	8	30	102.7	4 x 42"	10900	6000	5000	13.3	9851	12192	120	257" x 74"
10310	10				13500	6800	5700	16.6	12314	15240	136	
1106	6				9500	5450	4400	10.7	7909	9790	112	
1108	8	32	109.5	4 x 42"	11450	6250	5200	14.4	10549	13057	128	257" x 78"
11010	10				14000	7100	6000	18.1	13189	16324	144	

Five Fan Unit

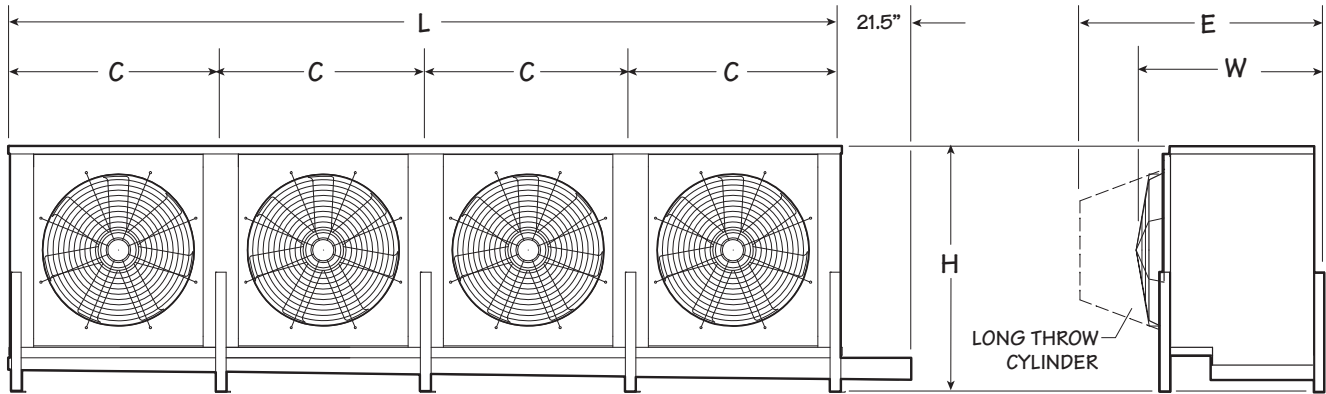
Model	Horsepower each	4 Fins per inch						3 Fins per inch					
		0" ESP		1/4" ESP		1/2" ESP		0" ESP		1/4" ESP		1/2" ESP	
		BTUH/ °TD	BTUH/ CFM	BTUH/ °TD	BTUH/ CFM	BTUH/ °TD	BTUH/ CFM	BTUH/ °TD	BTUH/ CFM	BTUH/ °TD	BTUH/ CFM	BTUH/ °TD	BTUH/ CFM
5L-376	0.33	13200	17200					11200	17400				
5L-378		14900	16600					13350	16800				
5L-3710		16400	16000					15050	16250				
5L-376	0.50	15300	21400					13050	21800				
5L-378		17700	20350					15750	20850				
5L-3710		19700	19400					17900	20000				
5L-376	0.75	15700	22800					13700	23300				
5L-378		18350	21500					16600	22100				
5L-3710		20150	20200					18300	20900				
5S-436	0.33	16950	22600					14550	23200				
5S-438		18900	21000					17200	21650				
5L-4310		20000	19500					18750	20250				
5S-436	0.50	17300	23200					14800	23800				
5S-438		19550	21700					17650	22350				
5L-4310		20850	20350					19550	21050				
5L-436	0.50	17600	24000					14950	24400				
5L-438		20200	22900					18200	23400				
5L-4310		22400	21900					20350	22400				
5L-436	0.75	18400	26900					16100	27550				
5L-438		21650	25550					19450	26200				
5L-4310		23850	24250					21700	24950				
5L-436	1.00	19950	31450					17350	32200				
5L-438		23600	29800					21100	30600				
5L-4310		26300	28300					23950	29250				
5S-496	0.50	19250	25350					16250	25800				
5S-498		21600	24050					19550	24600				
5L-4910		23450	22900					21800	23550				
5L-496	0.50	19300	25650					16350	26050				
5L-498		22150	24650					19950	25150				
5L-4910		24300	23700					22400	24200				
5L-496	0.75	21050	30900					18350	31400				
5L-498		24800	29300					22000	30000				
5L-4910		27350	27950					24900	28700				
5L-496	1.00	22150	34200					19200	35000				
5L-498		26100	32250					23650	33200				
5L-4910		29050	30500					26400	31550				
5L-496	1.50	23200	37400					20350	38250				
5L-498		27500	35650					24650	36550				
5L-4910		30950	34050					28000	35050				
5H-496	2.00	24800	42300	24000	39450			21650	43000	20850	40150		
5H-498		29900	40800	28650	37900			26650	41600	25550	38750		
5H-4910		33250	39300	31950	36600			30100	40300	28950	37450		
5H-496	3.00	26900	48550	26050	45500	24750	42100	23500	49400	22500	46500	21650	43100
5H-498		32550	46500	31200	43500	29600	40150	28850	47800	27700	44650	26450	41150
5H-4910		35900	44650	34350	41500	32750	38250	32500	46000	31150	42900	29750	39500

Base Model	Rows Deep	Tube High	Face Area sq ft	Fans	Approximate Weight lb			Coil Volume cu ft	Total Surface sq ft		Dimensions length x height
					Steel	SS/Al	Al/Al		3 FPI	4 FPI	
376	6				3509	2005	1784	3.5	2465	3285	
378	8	12	37.2	5 x 20"	4681	2675	2381	4.5	3290	4380	243" x 34"
3710	10				5854	3345	2977	5.5	4110	5475	
436	6				4095	2340	2083	4.0	2875	3825	
438	8	14	43.4	5 x 24"	5460	3120	2777	5.0	3835	5115	243" x 38"
4310	10				6825	3900	3471	6.5	4795	6390	
496	6				4681	2675	2381	4.5	3290	4380	
498	8	16	49.6	5 x 24"	6239	3565	3173	6.0	4380	5850	243" x 42"
4910	10				7805	4460	3969	7.5	5475	7305	

Five Fan Unit

Model	Horsepower each	4 Fins per inch						3 Fins per inch					
		0" ESP		1/4" ESP		1/2" ESP		0" ESP		1/4" ESP		1/2" ESP	
		BTUH/ °TD	BTUH/ CFM	BTUH/ °TD	BTUH/ CFM	BTUH/ °TD	BTUH/ CFM	BTUH/ °TD	BTUH/ CFM	BTUH/ °TD	BTUH/ CFM	BTUH/ °TD	BTUH/ CFM
5S-626	1.50	26550	39300					23400	40600				
5S-628		30750	36200					27850	37650				
5S-6210		33550	33650					31100	35050				
5L-626	1.00	28150	43800					24400	45150				
5L-628		33100	41000					29900	42400				
5L-6210		36500	38400					33300	40050				
5L-626	1.5	29700	48550					26100	50450				
5L-628		34450	44700					31150	46650				
5L-6210		38250	41600					34900	43500				
5L-626	2.00	31400	54150	29000	46900			27475	55950	25650	48600		
5L-628		37200	50600	33800	42850			33500	52400	30550	45000		
5L-6210		40550	47150	37200	39800			37150	49200	34100	41550		
5L-626	3.00	33000	58450	30500	50850	27450	42400	28950	60650	26800	52950	24000	44000
5L-628		38750	53800	35650	47000	31800	38700	34800	56250	32050	48900	29300	40800
5L-6210		42000	50050	39050	43450	34950	36150	38550	52550	35800	45800	32000	37700
5H-626	3.00	33750	61200	32450	56450	30550	51200	29750	62900	28100	58050	26700	52500
5H-628		40650	58050	38525	53300	36300	48300	36150	59900	34650	54900	32450	49875
5H-6210		44600	55150	42275	50650	39950	45750	40500	57250	38500	52500	36450	47400
5H-626	5.00	37250	69850	35300	64850	33350	59700	32850	71800	31200	66750	29250	61550
5H-628		44400	65650	41850	60950	39650	55900	39800	68050	37650	63300	35450	58150
5H-6210		48000	62150	45650	57550	43350	52700	44400	64850	41700	60000	39600	54850
5S-746	1.00	30350	41950					25950	43000				
5S-748		34600	39300					31350	40400				
5S-7410		37850	36950					34750	38150				
5L-746	1.00	31550	46300					27700	47450				
5L-748		37100	43800					33350	45000				
5L-7410		41000	41700					37250	42900				
5L-746	1.50	33575	52000					28930	53200				
5L-748		39300	48550					35650	50200				
5L-7410		43550	45650					39700	47500				
5L-746	2.00	35350	57550	32725	50350			31000	59100	28675	51500		
5L-748		41600	54150	38400	46900			37400	55950	34950	48600		
5L-7410		46500	51250	42625	44150			42150	53050	38700	45750		
5L-746	3.00	36950	62650	34350	54600	31450	45800	32450	64500	30100	56250	27550	47000
5L-748		43750	58450	40400	50850	36350	42400	39350	60650	36200	52550	33100	44000
5L-7410		48000	55050	44650	47750	39900	39750	43900	57350	40800	49700	36400	41350
5H-746	3.00	37300	63950	36050	59250	34050	53550	32650	65200	31300	60300	29450	54600
5H-748		44950	61400	42800	56450	40500	51200	40150	62700	38300	58050	36175	52500
5H-7410		49850	59000	47600	54100	45400	49100	45200	60550	43250	55650	41175	50400
5H-746	5.00	40500	73300	39065	68375	37050	63000	35500	75000	33750	69825	32400	64350
5H-748		48850	69825	46650	64875	44250	59700	43375	71800	41575	66725	39650	61550
5H-7410		53750	66725	51500	62150	48850	56900	48640	68850	46575	64050	44500	58750

Base Model	Rows Deep	Tube High	Face Area sq ft	Fans	Approximate Weight lb			Coil Volume cu ft	Total Surface sq ft		Dimensions length x height
					Steel	SS/Al	Al/Al		3 FPI	4 FPI	
626	6				5854	3345	2977	5.5	4110	5475	
628	8	20	62.0	5 x 30"	7805	4460	3969	7.5	5480	7305	243" x 51"
6210	10				9756	5575	4962	9.5	6850	9130	
746	6				7018	4010	3569	6.5	4930	6575	
748	8	24	74.5	5 x 30"	9363	5350	4762	9.0	6580	8765	243" x 59"
7410	10				11699	6685	5950	11.0	8215	10960	



Model*	Dimensions inches				
	L	W	H	C	E
1-08	75.2	45.8	31.5	41.3	65.0
1-09	75.2	45.8	35.7	41.3	65.0
1-10	75.2	45.8	40.0	41.3	65.0
1-12	75.2	45.8	48.5	41.3	65.0
1-15	75.2	45.8	57.0	41.3	65.0
1-17	86.5	47.3	49.0	42.0	66.0
1-21	98.5	47.3	49.3	42.0	66.0
1-22	98.5	47.3	53.5	42.0	66.0
1-24	98.5	47.3	57.8	42.0	66.0
1-28	98.5	47.3	66.3	42.0	66.0
1-31	98.5	47.3	70.5	42.0	66.0
1-32	98.5	47.3	74.8	42.0	66.0
2-14	117.2	45.8	32.0	41.3	65.0
2-17	117.2	45.8	36.3	41.3	65.0
2-20	117.2	45.8	40.5	41.3	65.0
2-25	117.2	45.8	49.0	41.3	65.0
2-31	117.2	45.8	57.5	41.3	65.0
2-33	142.5	47.3	49.8	42.0	66.0
2-36	142.5	47.3	54.0	42.0	66.0
2-40	142.5	47.3	58.3	42.0	66.0
2-41	166.5	47.3	50.0	42.0	66.0
2-44	166.5	47.3	54.3	42.0	66.0
2-46	142.5	47.3	66.8	42.0	66.0
2-48	166.5	47.3	58.5	42.0	66.0
2-51	142.5	47.3	71.0	42.0	66.0
2-53	142.5	47.3	75.3	42.0	66.0
2-56	166.5	47.3	67.0	42.0	66.0
2-61	166.5	47.3	71.3	42.0	66.0
2-64	166.5	47.3	75.5	42.0	66.0

Model*	Dimensions inches				
	L	W	H	C	E
3-22	159.2	45.8	32.6	41.3	65.0
3-26	159.2	45.8	36.8	41.3	65.0
3-30	159.2	45.8	41.1	41.3	65.0
3-38	159.2	45.8	49.6	41.3	65.0
3-45	159.2	45.8	58.1	41.3	65.0
3-50	198.5	47.3	50.5	42.0	66.0
3-55	198.5	47.3	54.8	42.0	66.0
3-58	234.5	47.3	50.9	42.0	66.0
3-60	198.5	47.3	59.0	42.0	66.0
3-65	234.5	47.3	55.1	42.0	66.0
3-70	198.5	47.3	67.5	42.0	66.0
3-72	234.5	47.3	59.4	42.0	66.0
3-74	198.5	47.3	71.8	42.0	66.0
3-79	198.5	47.3	76.0	42.0	66.0
3-84	234.5	47.3	67.9	42.0	66.0
3-90	234.5	47.3	72.1	42.0	66.0
3-96	234.5	47.3	76.4	42.0	66.0
4-29	201.2	45.8	33.2	41.3	65.0
4-35	201.2	45.8	37.4	41.3	65.0
4-40	201.2	45.8	41.7	41.3	65.0
4-50	201.2	45.8	50.2	41.3	65.0
4-60	201.2	45.8	58.7	41.3	65.0
4-68	254.5	47.3	51.3	42.0	66.0
4-75	254.5	47.3	55.5	42.0	66.0
4-82	254.5	47.3	59.8	42.0	66.0
4-95	254.5	47.3	68.3	42.0	66.0
4-103	254.5	47.3	72.5	42.0	66.0
4-110	254.5	47.3	76.8	42.0	66.0
5-37	243.2	45.8	33.7	41.3	65.0
5-43	243.2	45.8	38.0	41.3	65.0
5-49	243.2	45.8	42.2	41.3	65.0
5-62	243.2	45.8	50.7	41.3	65.0
5-74	243.2	45.8	59.2	41.3	65.0

* First number represents number of fans, second number represents base model number. For primary layout only, do not use for construction.

Available models listed are limited to copper tube/aluminum fin or all aluminum coil models.

Tubular heaters inserted through fin turbo-spacers, efficiently defrost the coil from the inside out.

Heaters are wired to a junction box located on the front at the refrigerant connection end of the unit.

When heater capacity exceeds 48.0 amp, multiple circuits are required.

HEATER ACCESS

- On two and three fan units, access is required as shown on both ends of the units. Eight inches less access is required at the refrigerant connection end of the unit.
- ED models, not having drain pan heat, are applied in rooms above freezing.
- EDL models have a tubular heater drain pan grid. Pans are insulated and have a mill galvanized bottom cover. Any designated electric defrost model may be EDL, however, 4 FPI is recommended for low temperature application to -20°F. Temperature termination thermostats automatically terminate defrost and delay fans until the coil has been recooled.

OPTIONAL CONTROL PANEL

Factory wired control panels include main fused disconnect, time clocks, control transformer, fan motor starter(s), defrost heater contactor(s), terminal strips and on-off switch.

Base Model	Fans	ED kW	Amps			EDL kW	Amps		
			230V	460V	575V		230V	460V	575V
86	1	4.8	12.0	6.0	4.8	8.4	21.2	10.6	8.5
88	1	7.2	18.1	9.0	7.2	10.8	27.2	13.6	10.9
96	1	4.8	12.0	6.0	4.8	8.4	21.2	10.6	8.5
98	1	7.2	18.1	9.0	7.2	10.8	27.2	13.6	10.9
106	1	4.8	12.0	6.0	4.8	8.4	21.2	10.6	8.5
108	1	7.2	18.1	9.0	7.2	10.8	27.2	13.6	10.9
126	1	7.2	18.1	9.0	7.2	10.8	27.2	13.6	10.9
128	1	9.6	24.1	12.0	9.6	13.2	33.2	16.6	13.3
156	1	7.2	18.1	9.0	7.2	10.8	27.2	13.6	10.9
158	1	9.6	24.1	12.0	9.6	13.2	33.2	16.6	13.3
176	1	9.0	22.6	11.3	9.0	13.4	33.7	16.9	13.5
178	1	12.0	30.1	15.1	12.0	16.4	41.2	20.6	16.5
216	1	10.8	27.1	13.6	10.8	16.1	40.5	20.2	16.2
218	1	14.4	36.1	18.1	14.5	19.7	49.5	24.8	19.8
226	1	14.4	36.1	18.1	14.5	19.7	49.5	24.8	19.8
228	1	18.0	45.2	22.6	18.1	23.3	58.6	29.3	23.4
246	1	14.4	36.1	18.1	14.5	19.7	49.5	24.8	19.8
248	1	18.0	45.2	22.6	18.1	26.9	67.6	33.8	27.0
286	1	18.0	45.2	22.6	18.1	23.3	58.6	29.3	23.4
288	1	21.6	54.2	27.1	21.7	30.5	76.6	38.3	30.6
316	1	25.2	63.3	31.6	25.3	30.5	76.6	38.3	30.6
318	1	28.8	72.3	36.1	28.9	37.7	94.7	47.3	37.9
326	1	25.2	63.3	31.6	25.3	30.5	76.6	38.3	30.6
328	1	28.8	72.3	36.1	28.9	37.7	94.7	47.3	37.9
146	2	9.0	22.6	11.3	9.0	15.6	39.2	19.6	15.7
148	2	13.5	33.9	16.9	13.6	20.1	50.5	25.3	20.2
176	2	9.0	22.6	11.3	9.0	15.6	39.2	19.6	15.7
178	2	13.5	33.9	16.9	13.6	20.1	50.5	25.3	20.2

Base Model	Fans	ED kW	Amps			EDL kW	Amps		
			230V	460V	575V		230V	460V	575V
206	2	9.0	22.6	11.3	9.00	15.6	39.2	19.6	15.7
208	2	13.5	33.9	16.9	13.6	20.1	50.5	25.3	20.2
256	2	13.5	33.9	16.9	13.6	20.1	50.5	25.3	20.2
258	2	18.0	45.2	22.6	18.1	24.6	61.8	30.9	24.7
316	2	13.5	33.9	16.9	13.6	20.1	50.5	25.3	20.2
318	2	18.0	45.2	22.6	18.1	24.6	61.8	30.9	24.7
336	2	18.0	45.2	22.6	18.1	26.5	66.4	33.2	26.6
338	2	24.0	60.2	30.1	24.1	32.5	81.5	40.7	32.6
366	2	24.0	60.2	30.1	24.1	32.5	81.5	40.7	32.6
368	2	30.0	75.3	37.7	30.1	38.5	96.6	48.3	38.6
406	2	24.0	60.2	30.1	24.1	32.5	81.5	40.7	32.6
408	2	30.0	75.3	37.7	30.1	44.5	111.6	55.8	44.6
416	2	21.6	54.2	27.1	21.7	31.8	79.8	39.9	31.9
418	2	28.8	72.3	36.1	28.9	39.0	97.9	48.9	39.1
446	2	28.8	72.3	36.1	28.9	39.0	97.9	48.9	39.1
448	2	36.0	90.4	45.2	36.1	46.2	115.9	58.0	46.4
466	2	30.0	75.3	37.7	30.1	38.5	96.6	48.3	38.6
468	2	36.0	90.4	45.2	36.1	50.5	126.7	63.3	50.7
486	2	28.8	72.3	36.1	28.9	39.0	97.9	48.9	39.1
488	2	36.0	90.4	45.2	36.1	53.4	134.0	67.0	53.6
516	2	42.0	105.4	52.7	42.2	50.5	126.7	63.3	50.7
518	2	48.0	120.5	60.2	48.2	62.5	156.8	78.4	62.7
536	2	42.0	105.4	52.7	42.2	50.5	126.7	63.3	50.7
538	2	48.0	120.5	60.2	48.2	62.5	156.8	78.4	62.7
566	2	36.0	90.4	45.2	36.1	46.2	115.9	58.0	46.4
568	2	43.2	108.4	54.2	43.4	60.6	152.1	76.0	60.8
616	2	50.4	126.5	63.3	50.6	60.6	152.1	76.0	60.8
618	2	57.6	144.6	72.3	57.8	75.0	188.2	94.1	75.3
646	2	50.4	126.5	63.3	50.6	60.6	152.1	76.0	60.8
648	2	57.6	144.6	72.3	57.8	75.0	188.2	94.1	75.3
226	3	13.8	34.6	17.3	13.9	23.6	59.1	29.6	23.7
228	3	20.7	52.0	26.0	20.8	30.5	76.5	38.2	30.6
266	3	13.8	34.6	17.3	13.9	23.6	59.1	29.6	23.7
268	3	20.7	52.0	26.0	20.8	30.5	76.5	38.2	30.6
306	3	13.8	34.6	17.3	13.9	23.6	59.1	29.6	23.7
308	3	20.7	52.0	26.0	20.8	30.5	76.5	38.2	30.6
386	3	20.7	52.0	26.0	20.8	30.5	76.5	38.2	30.6
388	3	27.6	69.3	34.6	27.7	35.3	88.5	46.9	37.5
456	3	20.7	52.0	26.0	20.8	30.5	76.5	38.2	30.6
458	3	27.6	69.3	34.6	27.7	35.3	88.5	46.9	37.5
506	3	27.0	67.8	33.9	27.1	39.5	99.2	49.6	39.7
508	3	36.0	90.4	45.2	36.1	48.5	121.8	60.9	48.7
556	3	36.0	90.4	45.2	36.1	48.5	121.8	60.9	48.7
558	3	45.0	113.0	56.5	45.2	57.5	144.4	72.2	57.7
606	3	36.0	90.4	45.2	36.1	48.5	121.8	60.9	48.7
608	3	45.0	113.0	56.5	45.2	66.5	167.0	83.5	66.8
706	3	45.0	113.0	56.5	45.2	57.5	144.4	72.2	57.7
708	3	54.0	135.6	67.8	54.2	75.5	189.5	94.8	75.8
296	4	18.0	45.2	22.6	18.1	30.6	76.9	38.4	30.7
298	4	27.0	67.8	33.9	27.1	39.6	99.5	49.7	39.8
356	4	18.0	45.2	22.6	18.1	30.6	76.9	38.4	30.7
358	4	27.0	67.8	33.9	27.1	39.6	99.5	49.7	39.8
406	4	18.0	45.2	22.6	18.1	30.6	76.9	38.4	30.7
408	4	27.0	67.8	33.9	27.1	39.6	99.5	49.7	39.8
506	4	27.0	67.8	33.9	27.1	39.6	99.5	49.7	39.8
508	4	36.0	90.4	45.2	36.1	48.6	122.1	61.0	48.8
606	4	27.0	67.8	33.9	27.1	39.6	99.5	49.7	39.8
608	4	36.0	90.4	45.2	36.1	48.6	122.1	61.0	48.8

BASE: Furnish as shown on the drawings PC style evaporator with a capacity of ___ TR at ___°F room temperature and ___°F saturated suction temperature with ___ refrigerant

PERFORMANCE: The thermal capacity of the evaporator shall be based on the "TD Ratings Method" in accordance with AHRI-Standard 420. Where by the temperature difference (TD) shall be defined as the difference between the air temperature entering the evaporator and the saturated suction temperature of the coil.

CASING: PC model casing and drain pan shall be heavy duty mill galvanized steel for long life and maximum strength. Fan panels shall be hinged for easy access to internal components.

MOTOR: Fan motors shall be Premium Efficiency Totally Enclosed Fan Cooled with 1.15 service factor. Fan motor shall be grease suitable for -40°F for low ambient conditions operating at 870, 1160 and 1750 RPM. Fan motors shall be foot mounted and prewired to NEMA 4 junction box located on the refrigerant connection end.

FAN AND FAN GUARD: Fan shall be constructed of aluminum material and selected for maximum efficiency with non-overloading performance. Fans shall accommodate up to ½" external static pressure. Fan guards shall be powder coated for long life.

HEAT TRANSFER COIL: Coil shall be constructed of ¾" OD tubes staggered in the direction of air flow. Turbo-spacers located between tubes provide nominal 3 or 4 FPI spacing and improved efficiency by turbulating airflow. Coil construction shall be available in hot dip galvanized steel tubes and fins, aluminum tubes and fins, copper tubes and aluminum fins and stainless steel tubes and aluminum fins. All tubing shall meet the requirements of ASME B31.5 Refrigerant Piping Code. The entire coil shall be pressure tested to 350 psig. The coil shall be evacuated and charged with low pressure Nitrogen prior to shipment



froztec.

FROZTEC INTERNATIONAL INC
DISTRIBUIDOR AUTORIZADO LATAM

www.froztec.com | info@froztec.com

PC industrial evaporator

ENGINEERING DATA

